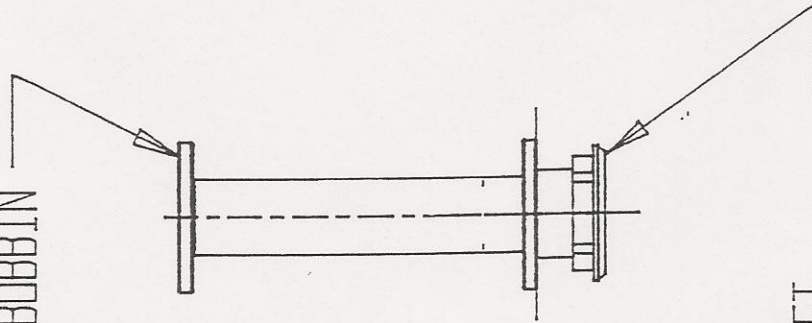


WIRE BOBBIN



RATCHET
OR REV RATCHET

REVISIONS

REV

DESCRIPTION

DATE

APPROVED

CAVALLERO PLASTICS
PITTSFIELD MA.

WIRE BOBBIN ASS'Y

PT. NO. 2.2-X

PT. NO. 2.2-C

SIZE

FSCH NO.

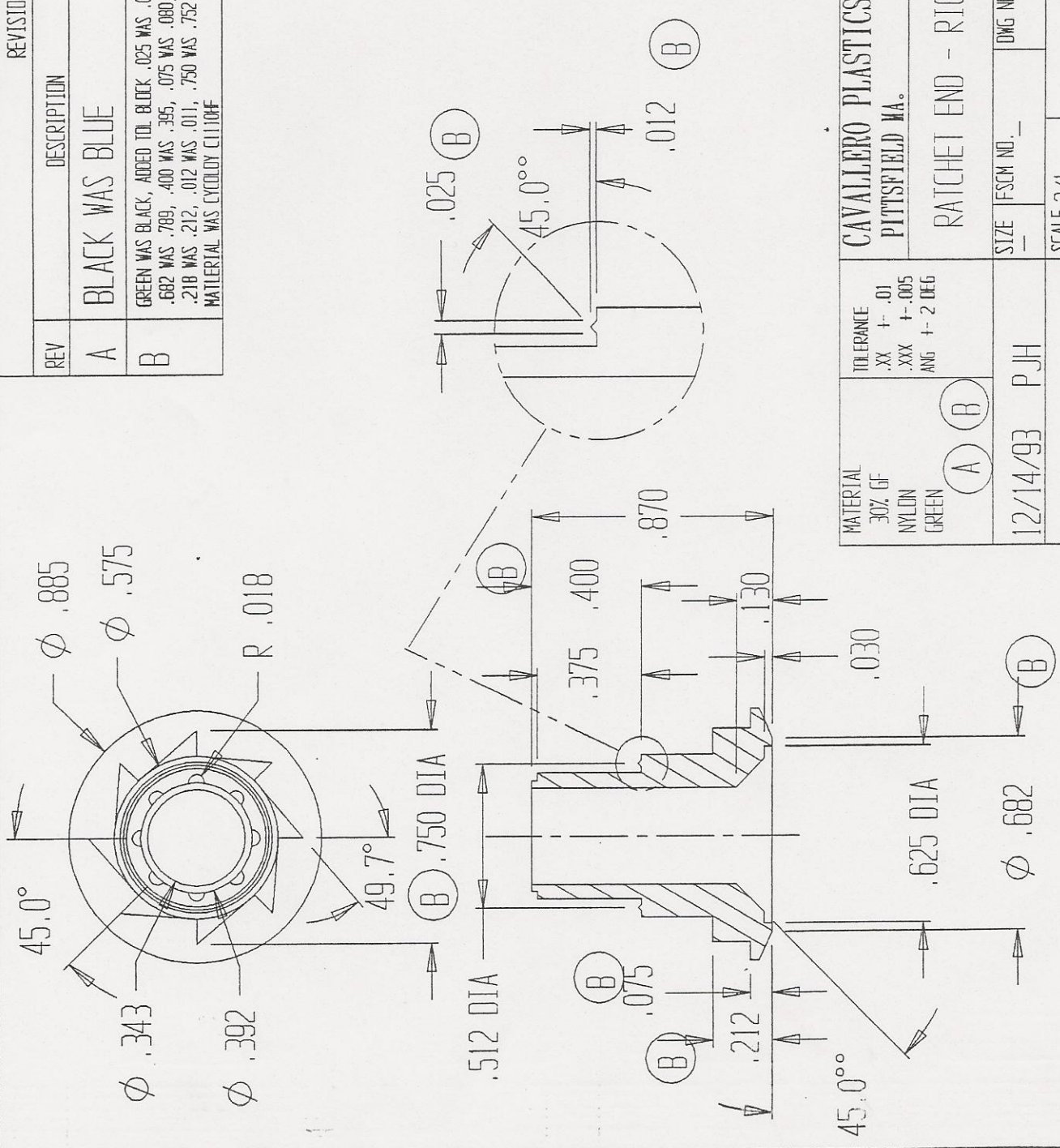
UNG NO. A00117

REV

SCALE 2/1

SHEET 4 OF 4

REVISIONS			
REV	DESCRIPTION	DATE	APPROVED
A	BLACK WAS BLUE	11/21/95	PJH
B	GREEN WAS BLACK, ADDED TOL BLOCK .025 WAS .022, .682 WAS .789, .400 WAS .395, .075 WAS .080, .218 WAS .212, .012 WAS .011, .750 WAS .752 MATERIAL WAS CYCLODY C110HF	5/7/96	PJH



CAVALLERO PLASTICS
PITTSFIELD MA.

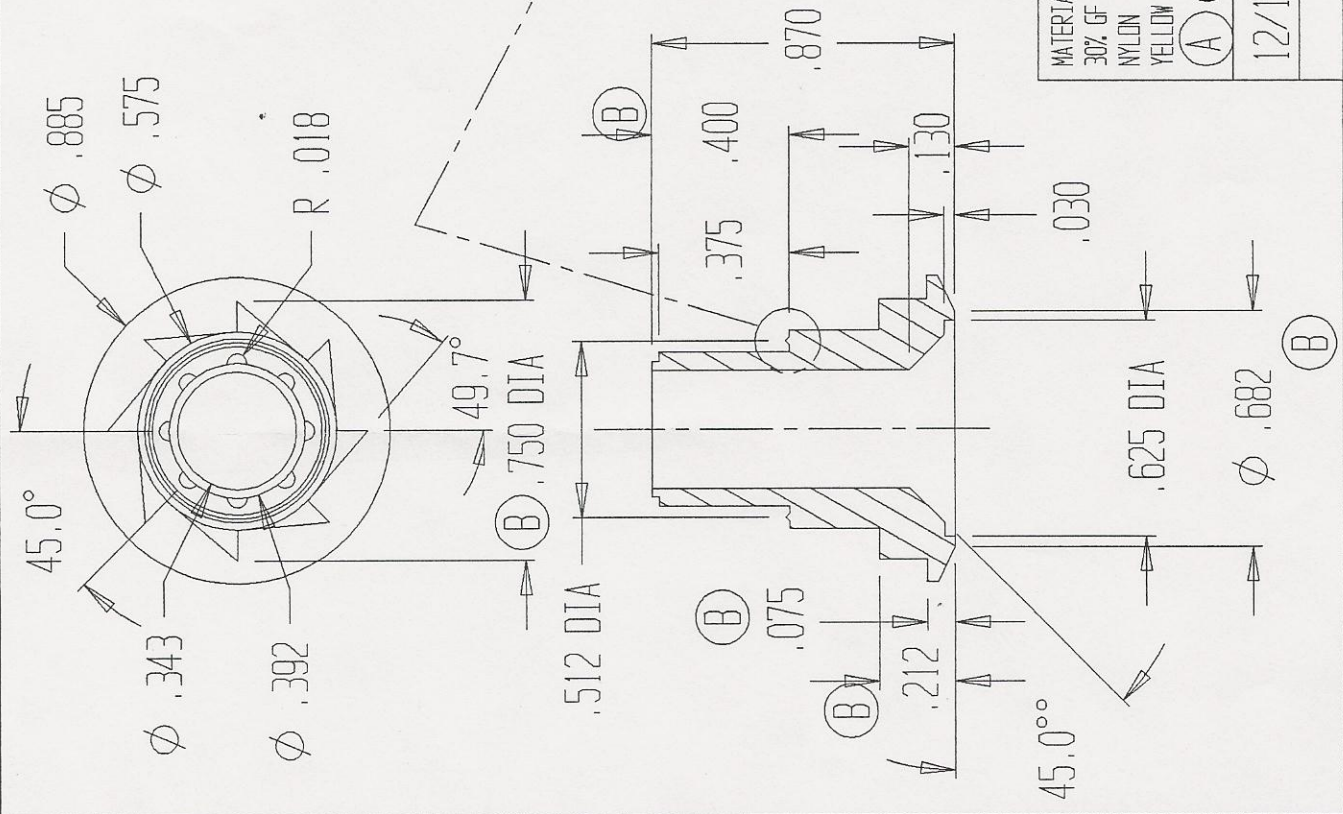
RATCHET END - RIGHT PT. NO. - C

MATERIAL	TOLERANCE
30% GF NYLON GREEN	.XX +-.01 .XXX +-.005 ANG +-.2 DEG

12/14/93	PJH	SIZE	FSCM NO. -	DWG NO. A00117	REV
					B
		SCALE 2/1	SHEET 2 OF 4		

REVISIONS

REV	DESCRIPTION	DATE	APPROVED
A	BLUE WAS BLACK	11/21/95	PJH
B	YELLOW WAS BLUE, ADDED TOL. BLOCK, .022 WAS .022, .682 WAS .789, .400 WAS .395, .075 WAS .080, .218 WAS .212, .012 WAS .011, .750 WAS .752 MATERIAL WAS CYCLOL C1110HF	5/7/96	PJH



CAVALLERO PLASTICS
PITTSFIELD MA.

RATCHET END - LEFT PT. NO. -X

MATERIAL
30% GF
NYLON
YELLOW
(A) (B)

TOLERANCE
.XX +.01
.XXX +.005
ANG +2 DEG

DATE	12/14/93	DESIGNER	PJH
SIZE	FSCM NO. --	DWG NO.	A00117
SCALE	2/1	SHEET 3 OF 4	