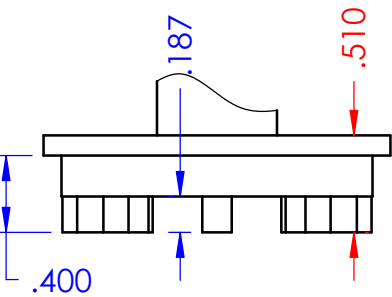
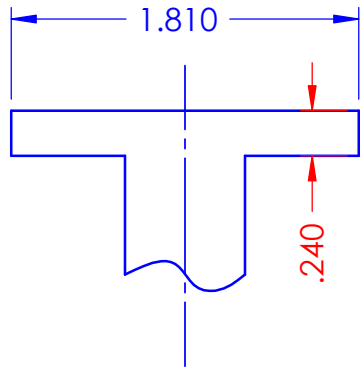
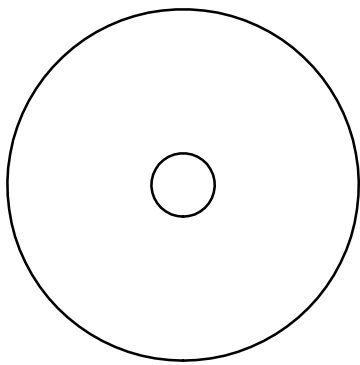
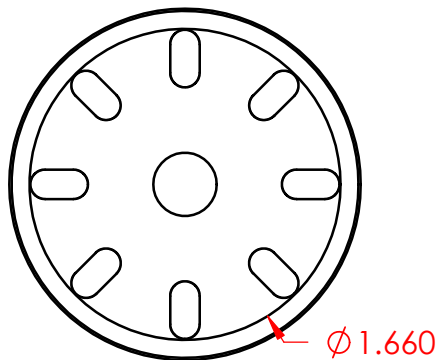


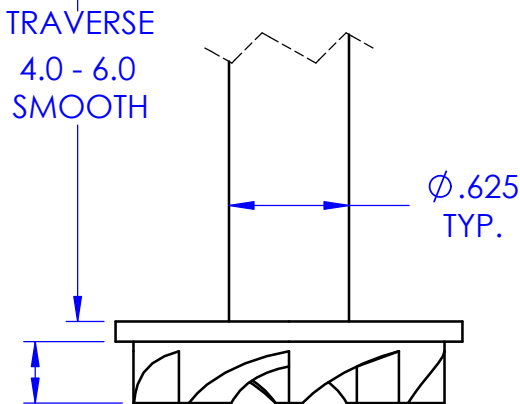
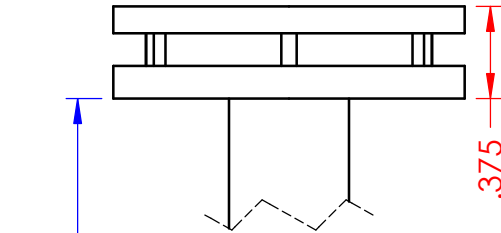
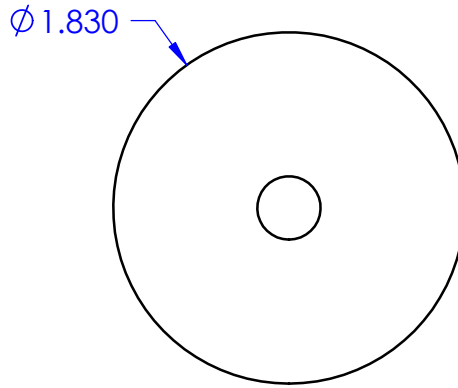
FLAT HEAD



TAB TOOTH

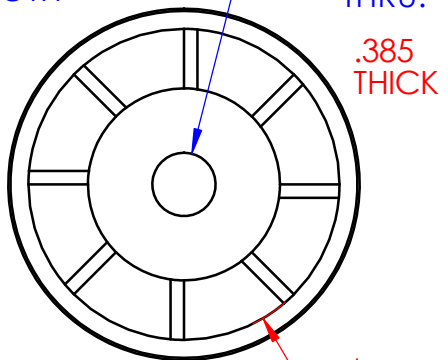


DBL. HEAD

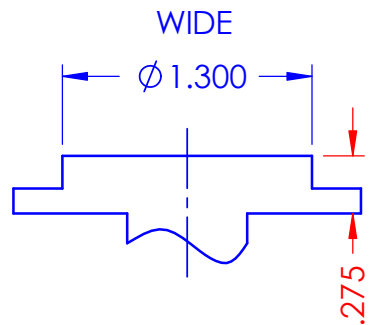
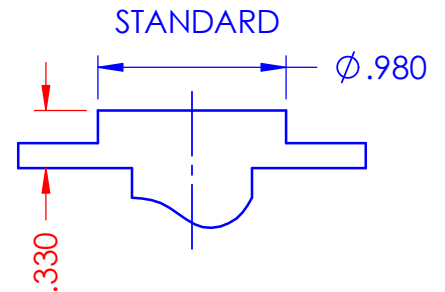
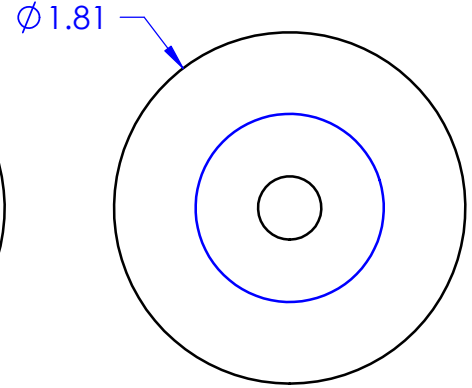


TRAVERSE
4.0 - 6.0
SMOOTH
.270
6 & 8
TOOTH

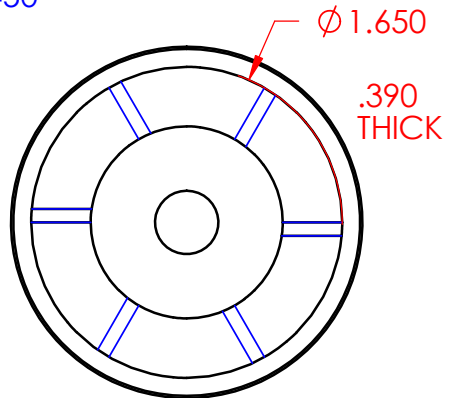
8 TOOTH



BUTTON HEAD



6 TOOTH



DIMENSIONS ARE IN INCHES
TOLERANCES:
FRACTIONAL ±
ANGULAR: MACH ± BEND ±
TWO PLACE DECIMAL ±
THREE PLACE DECIMAL ±

MATERIAL

FINISH

DO NOT SCALE DRAWING

DRAWN

CHECKED

ENG APPR.

MFG APPR.

Q.A.

COMMENTS:

NAME

DATE

CAVALLERO PLASTICS INC.

PROPRIETARY AND CONFIDENTIAL

THE INFORMATION CONTAINED IN THIS DRAWING IS THE SOLE PROPERTY OF CAVALLERO PLASTICS INC.. ANY REPRODUCTION IN PART OR AS A WHOLE WITHOUT THE WRITTEN PERMISSION OF CAVALLERO PLASTICS INC. IS PROHIBITED.

NEXT ASSY USED ON

APPLICATION

SIZE DWG. NO.

A

NO2BOBBIN

REV.

SCALE:1:1

WEIGHT:

SHEET 1 OF 1