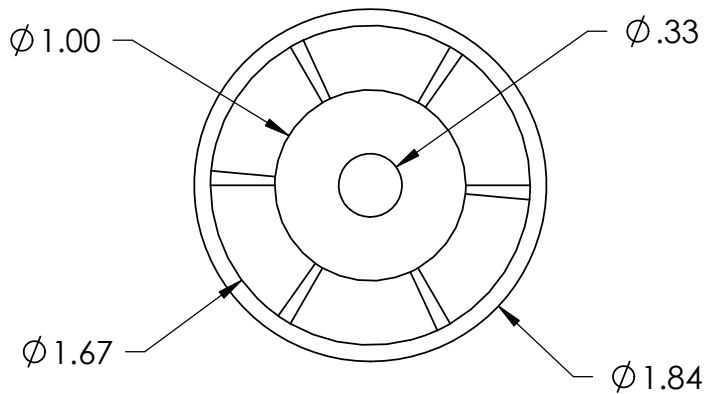


RATCHET



<p>PROPRIETARY AND CONFIDENTIAL</p> <p>THE INFORMATION CONTAINED IN THIS DRAWING IS THE SOLE PROPERTY OF <INSERT COMPANY NAME HERE>. ANY REPRODUCTION IN PART OR AS A WHOLE WITHOUT THE WRITTEN PERMISSION OF <INSERT COMPANY NAME HERE> IS PROHIBITED.</p>			<p>DIMENSIONS ARE IN INCHES TOLERANCES: FRACTIONAL \pm ANGULAR: MACH \pm BEND \pm TWO PLACE DECIMAL \pm THREE PLACE DECIMAL \pm</p> <p>MATERIAL 15% GLASS FILLED NYLON</p> <p>FINISH</p>	NAME	DATE	<p>CAVALLERO PLASTICS INC.</p>	
				DRAWN	BDB		
				CHECKED			
				ENG APPR.			
				MFG APPR.			
				Q.A.		<p>COMMENTS:</p>	
NEXT ASSY	USED ON			SIZE	DWG. NO.		REV.
APPLICATION	DO NOT SCALE DRAWING			A	COP HOLDER 6 RATT		
				SCALE: 1:1	WEIGHT:	SHEET 1 OF 1	