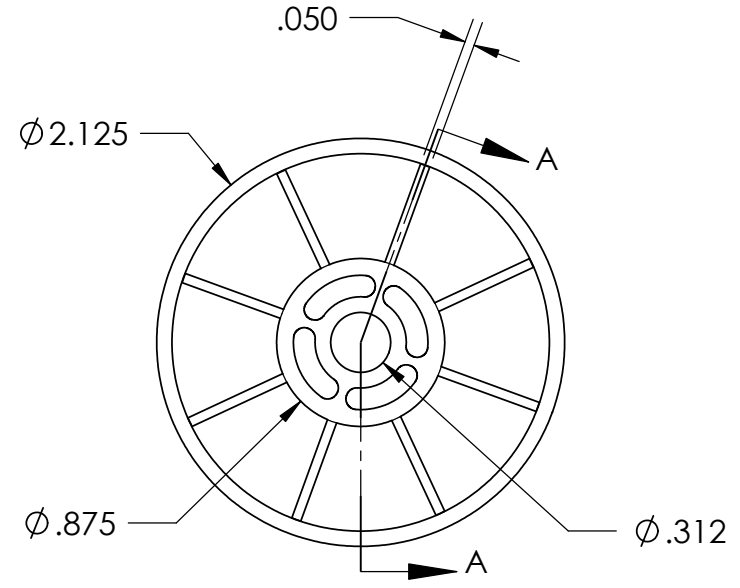
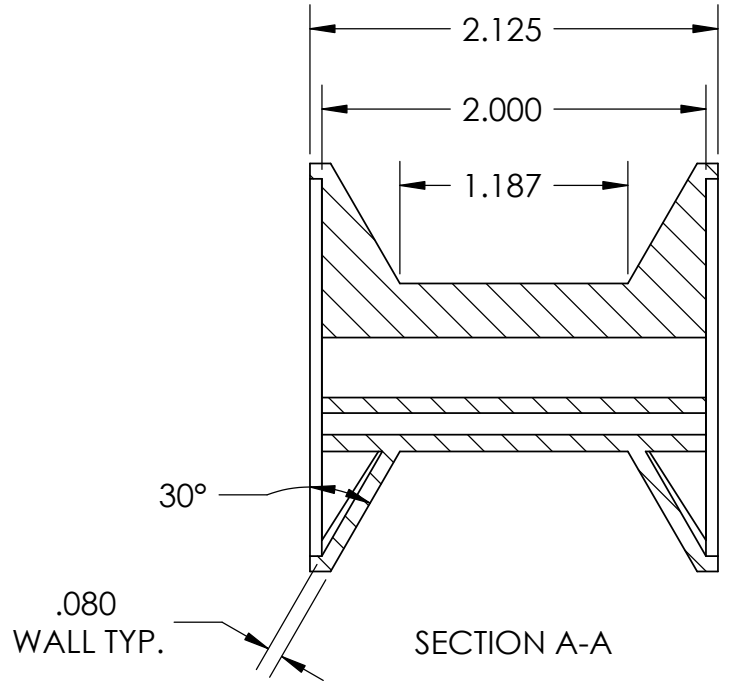
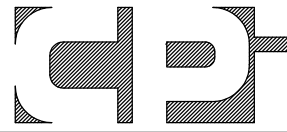


REV	DESCRIPTION OF CHANGE, DWG LOCATION	DATE	APPROVED



 CAVALLERO PLASTICS INC. 1250 NORTH ST. PITSFIELD MA 01201 PHONE 413-443-0925 FAX 413-443-9586 E-mail sales @cplas.com					PART NAME:		
					B SPOOL (2 OZ)		
TOLERANCE UNLESS SPECIFIED OTHERWISE INCHES					PART #		
.XXXX	.XXX	.XX	.X & FRAC.	ANGLES	PART REV		
± .0010	± .005	± .015	± .12	± 1°	DWG #		
MILLIMETERS					SHEET 1 OF		
				± 1.30		± .40	
				± 3.0		APPROVED BY:	
MATERIAL:					DRAWING BY: BDB		
					CHECKED BY:		
					APPROVED BY:		
					/date		