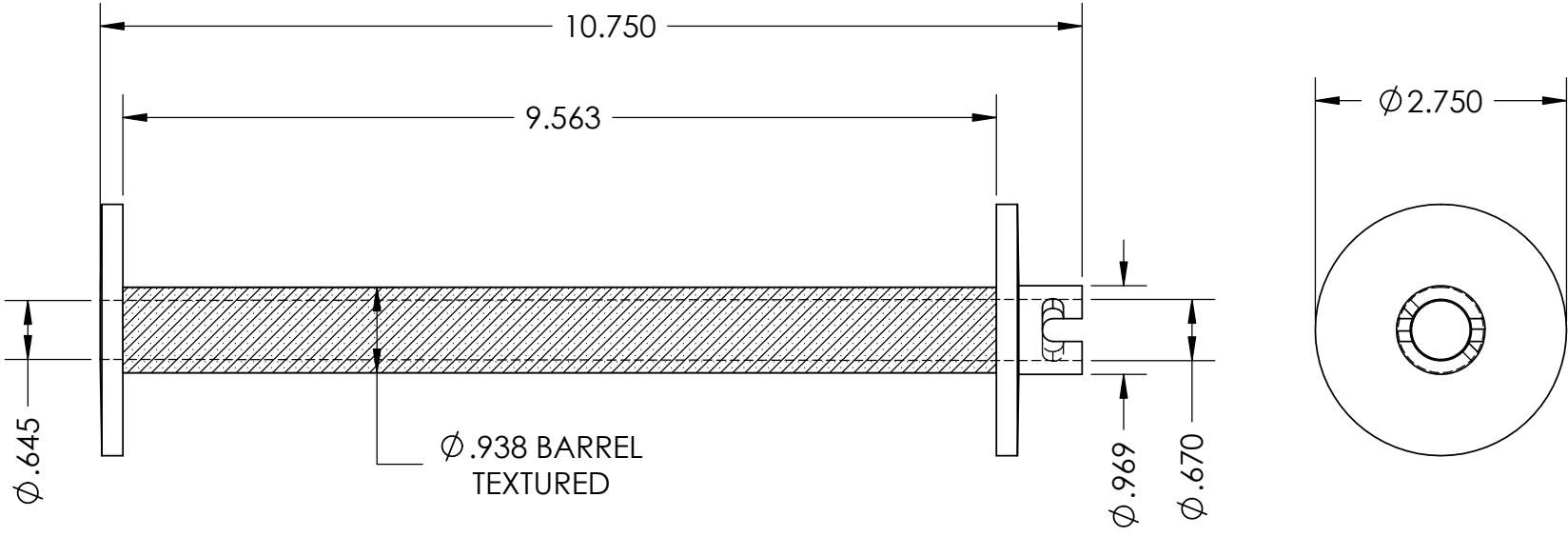
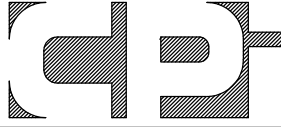


| REV | DESCRIPTION OF CHANGE, DWG LOCATION | DATE | APPROVED |
|-----|-------------------------------------|------|----------|
| | | | |
| | | | |





CAVALLERO PLASTICS INC.
 1250 NORTH ST.
 PITSFIELD MA 01201

PHONE 413-443-0925
 FAX 413-443-9586
 E-mail sales @cplas.com

| TOLERANCE UNLESS SPECIFIED OTHERWISE INCHES | | | | | PART NAME: | |
|---|--------|--------|----------------------|------------|-----------------------|----------|
| .XXXX | .XXX | .XX | .X & FRAC. | ANGLES | 10" STEEGER | |
| ± .0010 | ± .005 | ± .015 | ± .12 | ± 1° | | |
| MILLIMETERS | | | | | | |
| | ± 1.30 | ± .40 | ± 3.0 | | PART # | PART REV |
| MATERIAL: TRIAX | | | | SHEET 1 OF | | DWG # |
| DRAWING BY: BDB /date | | | CHECKED BY: /date | | APPROVED BY: /date | |