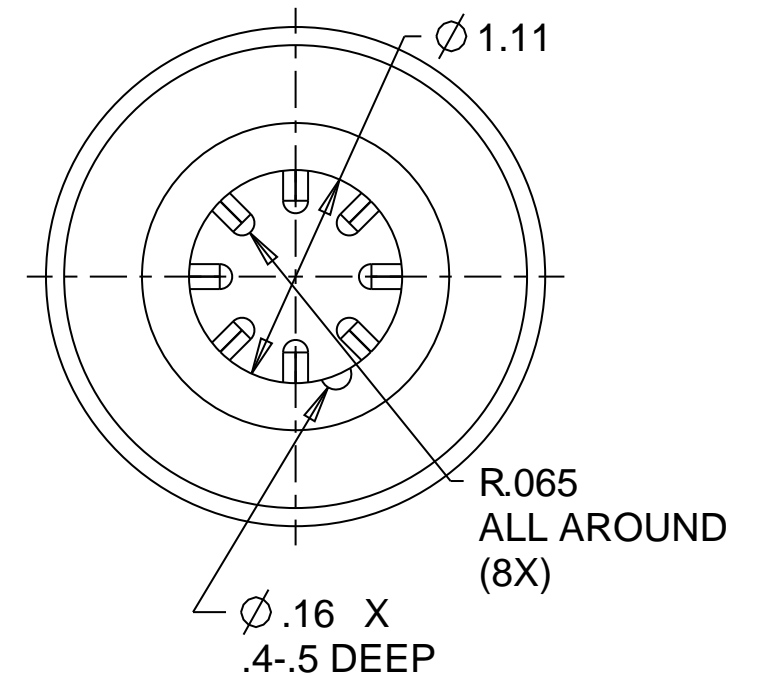
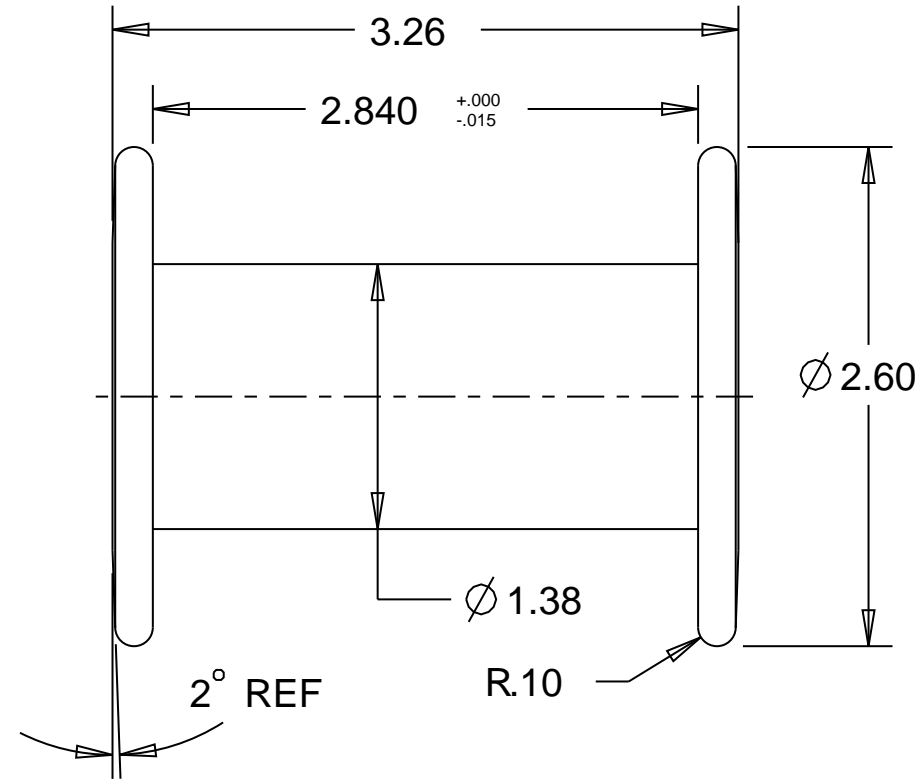
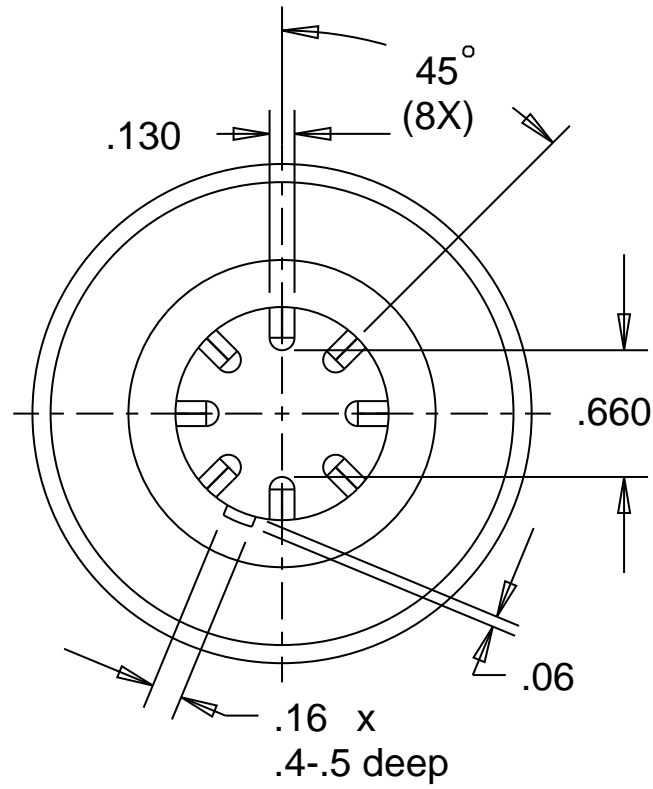



REV#	DESCRIPTION OF CHANGE, DWG LOCATION, AND PART REV	DATE	APPROVED
A	INITIAL RELEASE	10/25	SNIEZYK



	<b>CAVALLERO PLASTICS INC.</b> 1250 NORTH ST. PITSFIELD MA 01201			PHONE 413-443-0925 FAX 413-443-9586 E-mail engineering@cplas.com
	<b>TOLERANCE UNLESS SPECIFIED OTHERWISE</b>			
.XXXX ± .002	.XXX ± .005	.XX & FRAC. ± .015	ANGLES ± 1/4°	<b>PART NAME:</b> <b>WIRE BOBBIN "SPOOL"</b>
<b>CUSTOMER</b> CAVALLERO PLASTICS		<b>PART #</b> CP-16	<b>PART REV</b> A	
<b>MATERIAL:</b> NYLON			<b>SHEET 1 OF</b> 1	
<b>DRAWING BY</b> SNIEZYK 1/16/03 <b>/DATE</b>		<b>CHECKED BY</b> <b>/DATE</b>		<b>APPROVED BY</b> <b>/DATE</b>