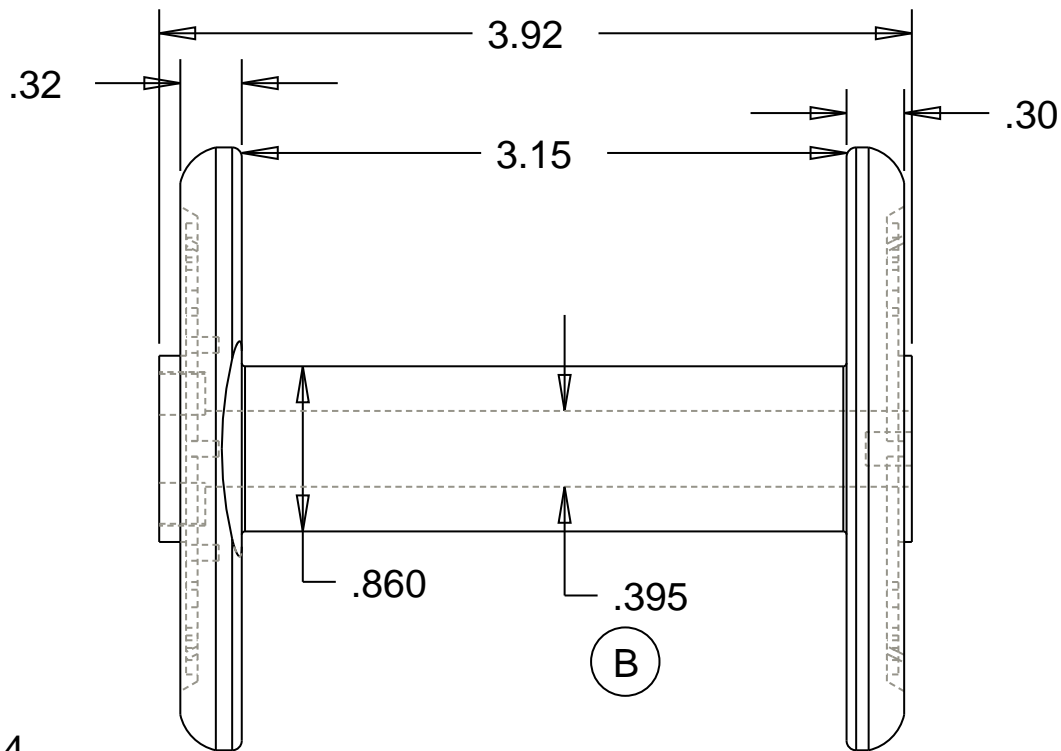
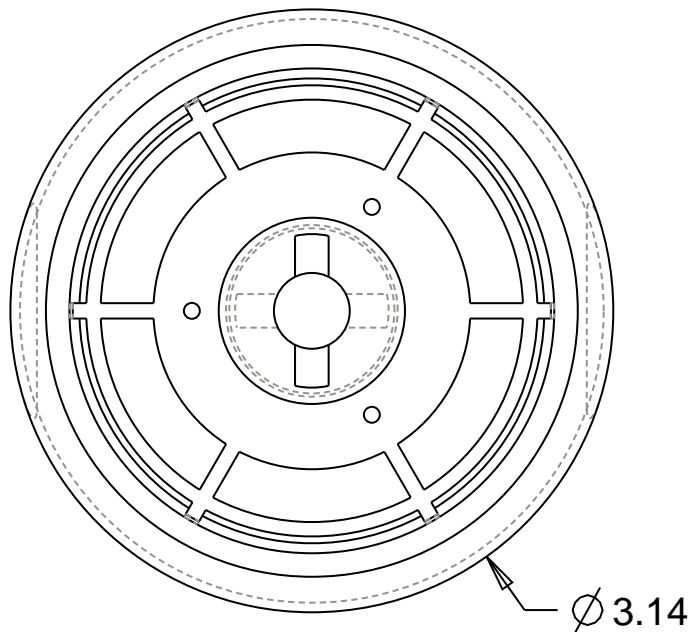



REV	DESCRIPTION OF CHANGE, DWG LOCATION	DATE	APPROVED
A	PRODUCTION PART PRINT	3-9-05	SNIEZYK
B	.395 WAS .400	12-11-06	SNIEZYK





CAVALLERO PLASTICS INC.
 1250 NORTH ST.
 PITSFIELD MA 01201

PHONE 413-443-0925
 FAX 413-443-9586
 E-mail sales @cplas.com

TOLERANCE UNLESS SPECIFIED OTHERWISE				INCHES		PART NAME:	
.XXXX	.XXX	.XX	.X & FRAC.	ANGLES		3 X 3 SPOOL	
± .0010	± .005	± .015	± .12	± 1°		PART # 3X3 PART REV B	
MILLIMETERS							
			± .130	± .40	± 3.0		
MATERIAL: 6/6 GF40 BKM				SHEET 1 OF 1		DWG #	
DRAWING BY: SNIEZYK		CHECKED BY: C. HATTAT		APPROVED BY: T. EHMANN			
/date 11/19/04		/date 11/19/04		/date 11/19/04			