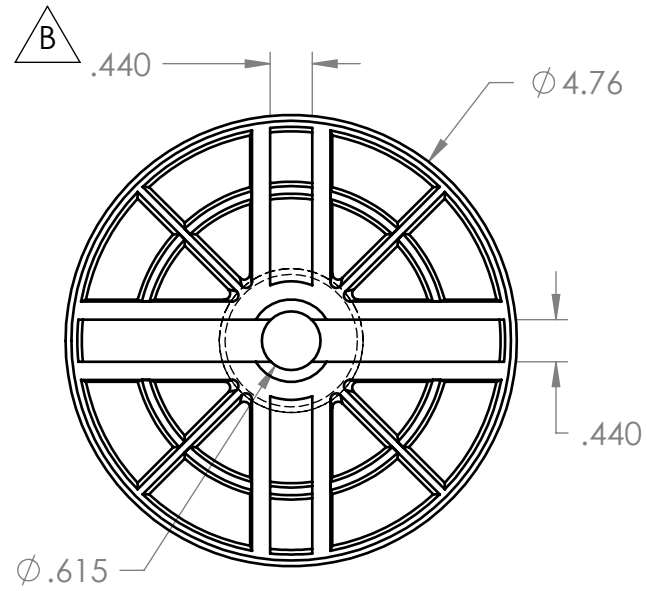
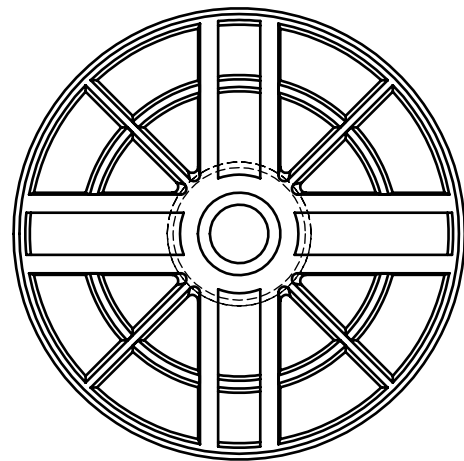


THE INFORMATION CONTAINED IN THIS DRAWING IS THE SOLE PROPERTY OF  
 <CAVALLERO PLASTICS INC.> ANY REPRODUCTION IN PART OR WHOLE WITHOUT  
 THE WRITTEN PERMISSION OF <CAVALLERO PLASTICS INC.> IS PROHIBITED.

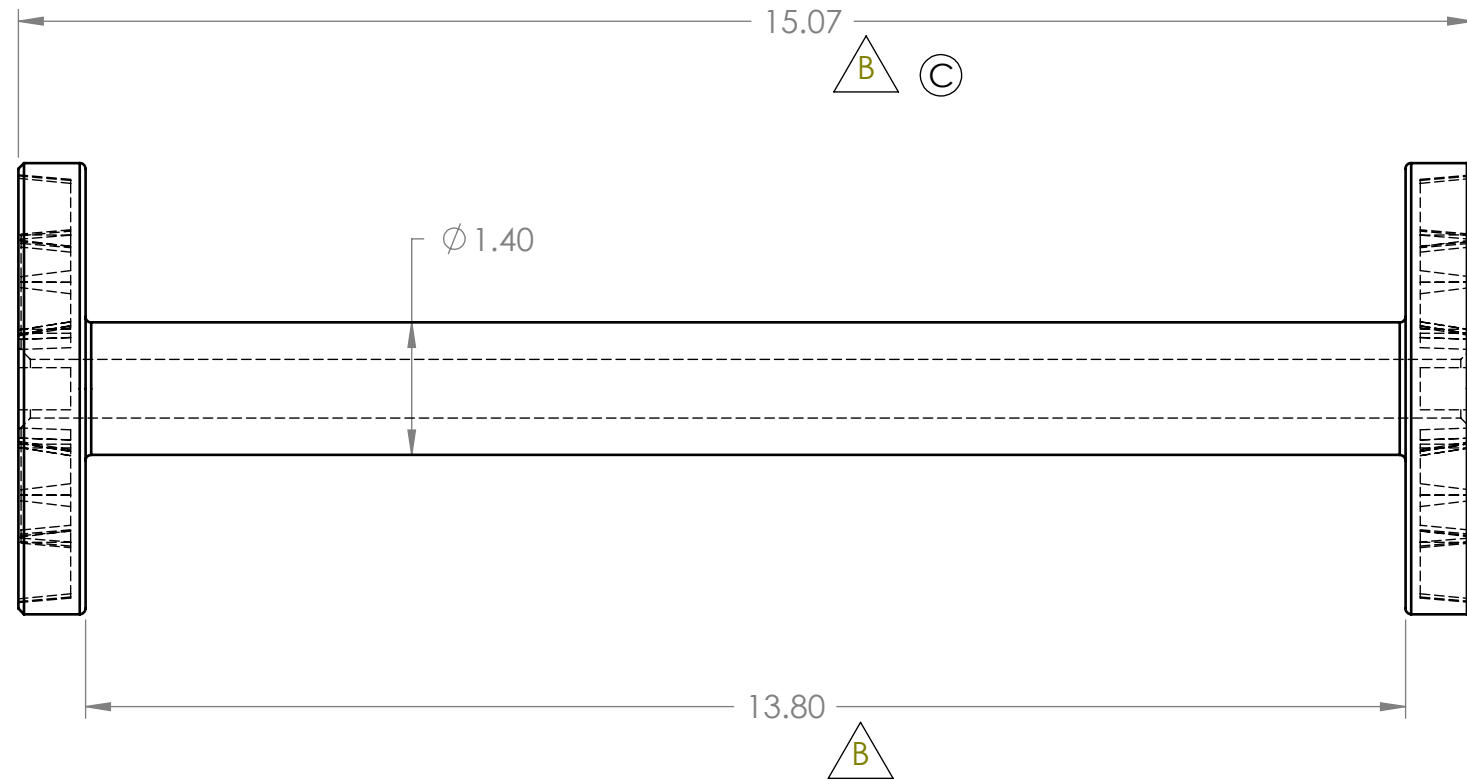
REVISIONS			
REV.	DESCRIPTION OF CHANGE, DWG LOCATION	DATE	APPROVED
A	AS MOLDED	03/20/06	BDB
B	ADD .440 SLOT, CHANGED MATERIAL, AND AS BUILT DIMS	09/20/06	BDB
C	15.07 was 15.12	10/11/07	BDB




CP-224L-SLOT



CP-224L-BORE



		<b>CAVALLERO PLASTICS INC.</b> 1250 NORTH ST. PHONE 413-443-0925 PITTSFIELD MA 01201 FAX 413-443-9586 E-MAIL SALES@CPLAS.COM	
TOLERANCE UNLESS SPECIFIED OTHERWISE		PART NAME:	
.XXXX .XXX .XX .X & FRAC. ANGLES		ROPE BRAIDER SPOOL	
±.001 ±.005 ±.015 ±.12 ±1°			
MILLIMETERS			
±.130 ±.40 ±3.0			
MATERIAL:HIPS		PART# CP-224L	PART REV.C
DRAWN BY:BDB		CHECKED BY:	SHEET 1 OF 1
		APPROVED BY:	