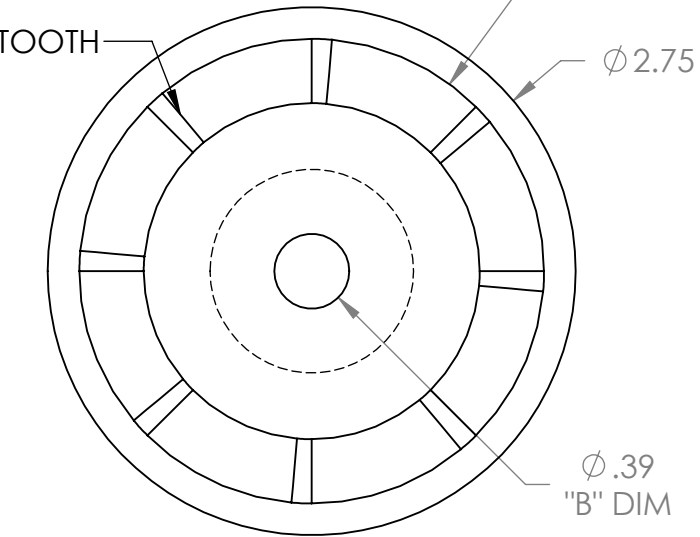
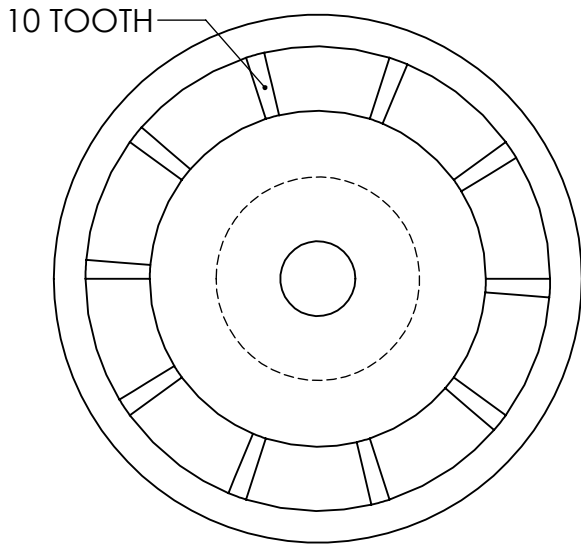
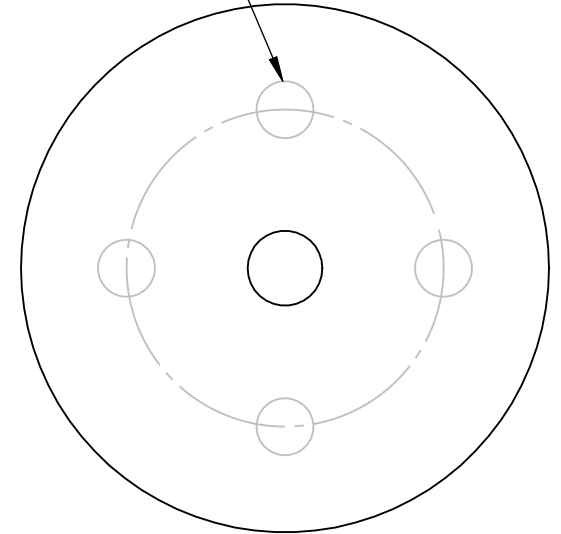
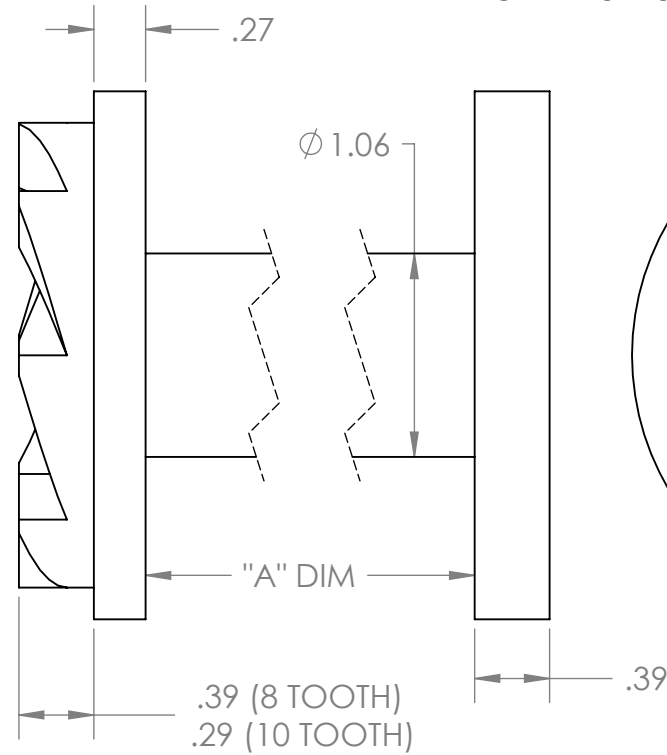


REV	DESCRIPTION OF CHANGE, DWG LOCATION	DATE	APPROVED
-	FIRST RELEASE	11-29-2007	BDB



DRIVE HOLES CAN BE ADDED TO THE TOP FLANGE AS A SECONDARY OPERATION. CALL FOR QUOTE.



PART#	"A" DIM	"B" DIM
1	6	.39-OR- .43-OR-.50
2	6.5	.39-OR- .43-OR-.50
3	7	.39-OR- .43-OR-.50
4	7.5	.39-OR- .43-OR-.50
5	8	.39-OR- .43-OR-.50

CAVALLERO PLASTICS INC.
1250 NORTH ST.
PITSFIELD MA 01201

PHONE 413-443-0925
FAX 413-443-9586
E-mail sales @cplas.com

TOLERANCE UNLESS SPECIFIED OTHERWISE INCHES				PART NAME:	
.XXXX	.XXX	.XX	.X & FRAC.	2BDX	
± .0010	± .005	± .015	± .12	PART # 2BDX PART REV -	
MILLIMETERS					
				SHEET 1 OF	
				DWG #	
DRAWING BY: BDB		CHECKED BY:		APPROVED BY:	
/date		/date		/date	