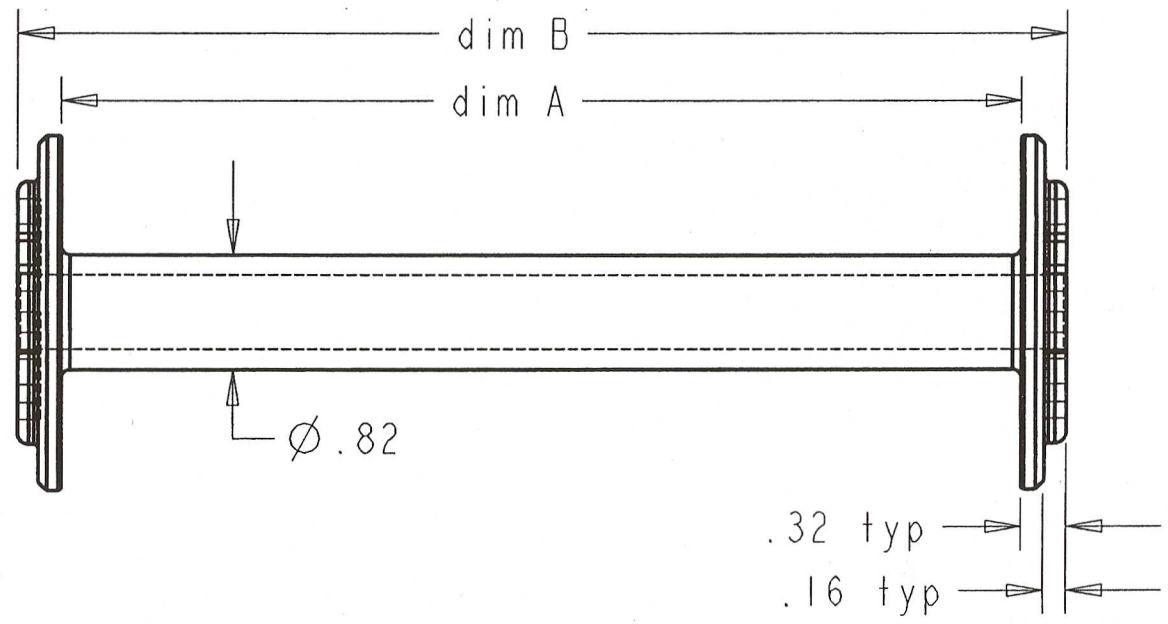
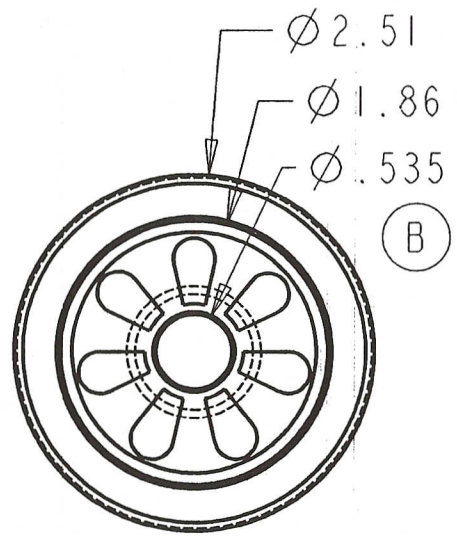



REV	DESCRIPTION OF CHANGE, DWG LOCATION	DATE	APPROVED
B	Dia .535 was .563	9/04	sniezyk



SCALE .75

63 X 170	6.69 (170 mm)	7.32 (186 mm)
63 X 200	7.87 (200 mm)	8.50 (216 mm)
Part #	dim A	dim B

		CAVALLERO PLASTICS INC.		PHONE 413-443-0925			
		1250 NORTH ST. PITSFIELD MA 01201		FAX 413-443-9586 E-mail sales@cplas.com			
TOLERANCE UNLESS SPECIFIED OTHERWISE INCHES					PART NAME: EUROBOBBIN		
.XXXX	.XXX	.XX	.X & FRAC.	ANGLES	CUSTOMER:		
±.0010	±.005	±.015	±.12	±1°			
MILLIMETERS					P/N see table PART REV		
± 1.30			± .40	± 3.0	MATERIAL: 15 % glass filled Nylon		
DRAWING BY: Sniezyk /date 9/23/04				CHECKED BY: /date		SHEET 1 OF 1	
				APPROVED BY: /date		DWG # A00450	