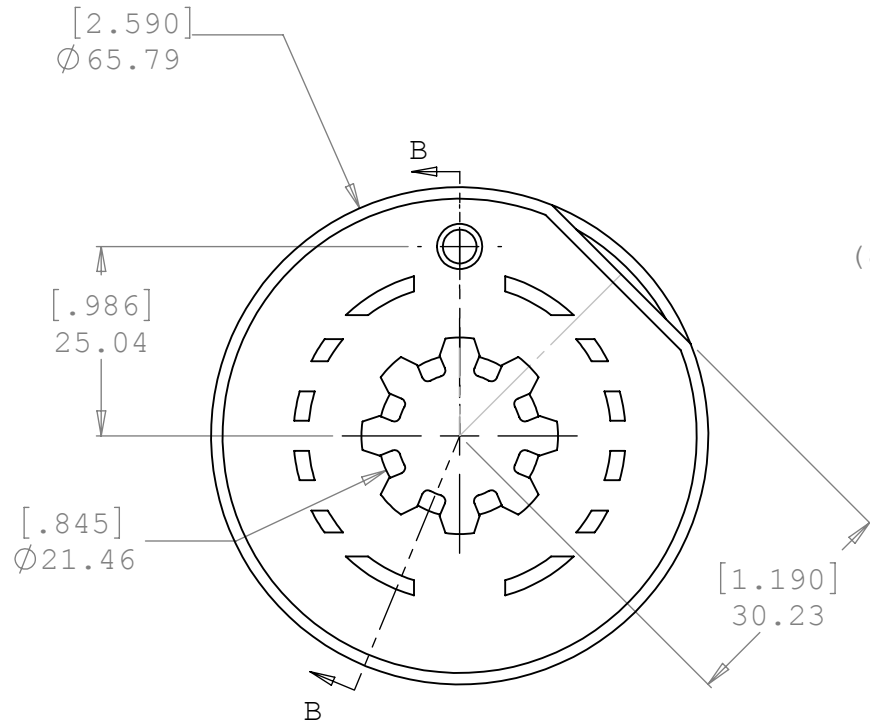
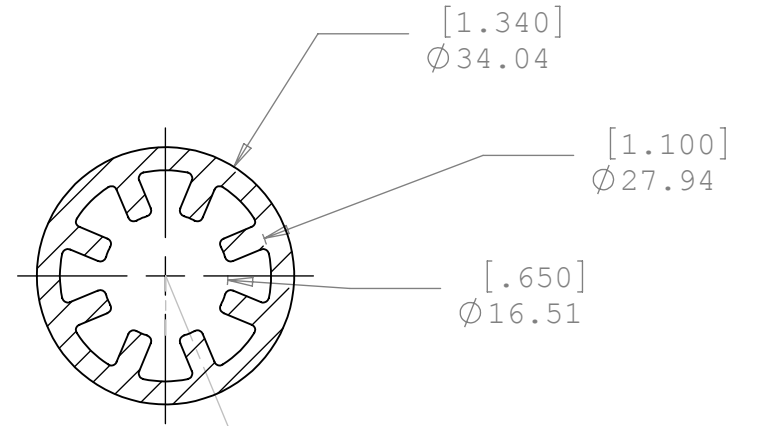
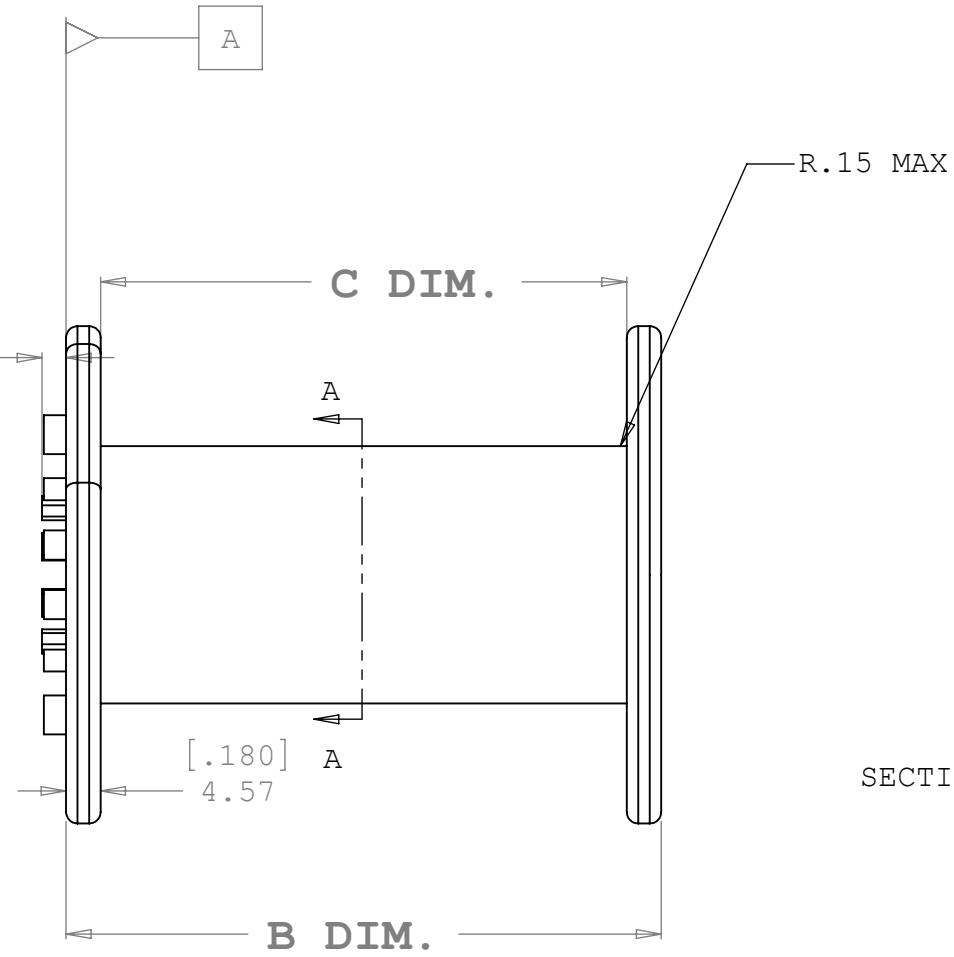


THE INFORMATION CONTAINED IN THIS DRAWING IS THE SOLE PROPERTY OF  
 <CAVALLERO PLASTICS INC.> ANY REPRODUCTION IN PART OR WHOLE WITHOUT  
 THE WRITTEN PERMISSION OF <CAVALLERO PLASTICS INC.> IS PROHIBITED.

REVISIONS			
REV.	DESCRIPTION OF CHANGE, DWG LOCATION	DATE	APPROVED
---	ORIGINAL ISSUE	10/20/00	BDB
A	ADDED 8 LUGS .125 HIGH	9-03-08	BDB



[.125]  
 3.175  
 (8) PLCS.



SECTION A-A

PT.#	A DIM	B DIM	C DIM
CRB-01		78.49[3.09]	68.58[2.70]
CRB-02		112.52[4.43]	103.63[4.08]

**CP** CAVALLERO PLASTICS INC.  
 1250 NORTH ST. PHONE 413-443-0925  
 PITTSFIELD MA 01201 FAX 413-443-9586  
 E-MAIL SALES@CPLAS.COM

TOLERANCE UNLESS SPECIFIED OTHERWISE			PART NAME:
.XXX	.XX	ANGLES	ROTARY BOBBIN
±.005	±.015	±1°	
MILLIMETERS			
±.13	±.40		

PART# CRB-01& CRB-02	PART REV.A
MATERIAL: ACETAL	SHEET 1 OF 1
DRAWN BY: BDB	CHECKED BY: APPROVED BY: