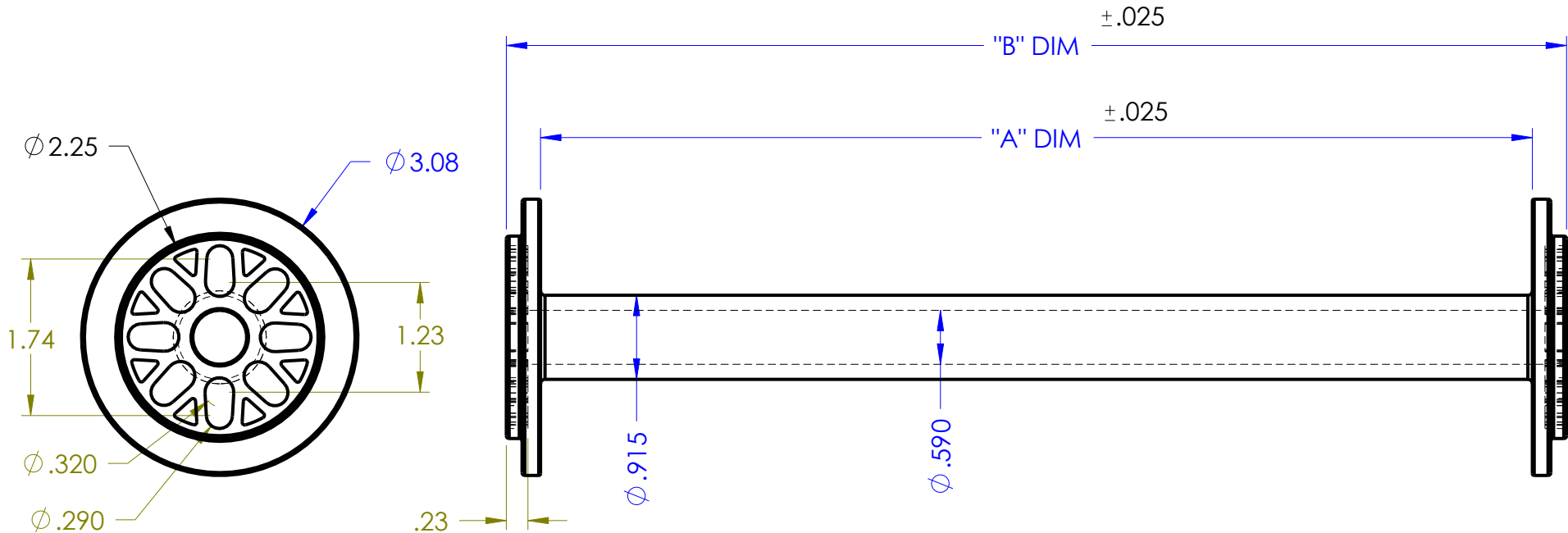
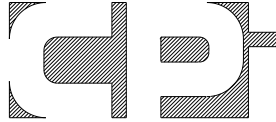


REV	DESCRIPTION OF CHANGE, DWG LOCATION	DATE	APPROVED
A	PRODUCTION RELEASE	11/29/05	



PART NAME	"A" DIM.	"B" DIM.
CP-140L (LONG)	280 MM 11.05 IN	299.7 MM 11.80 IN.
CP-140S (SHORT)	N/A	N/A



CAVALLERO PLASTICS INC.
 1250 NORTH ST.
 PITSFIELD MA 01201

PHONE 413-443-0925
 FAX 413-443-9586
 E-mail sales @cplas.com

TOLERANCE UNLESS SPECIFIED OTHERWISE INCHES				PART NAME:		
.XXXX	.XXX	.XX	.X & FRAC.	CP-140		
1 .0010	1 .005	1 .015	1 .12			
MILLIMETERS				1°	PART #	
1 .130	1 .40	1 3.0			CP-140	A
MATERIAL: 6/6 GF 15			SHEET 1 OF 1		DWG #	
DRAWING BY: BDB		CHECKED BY:		APPROVED BY:		
/date		/date		/date		