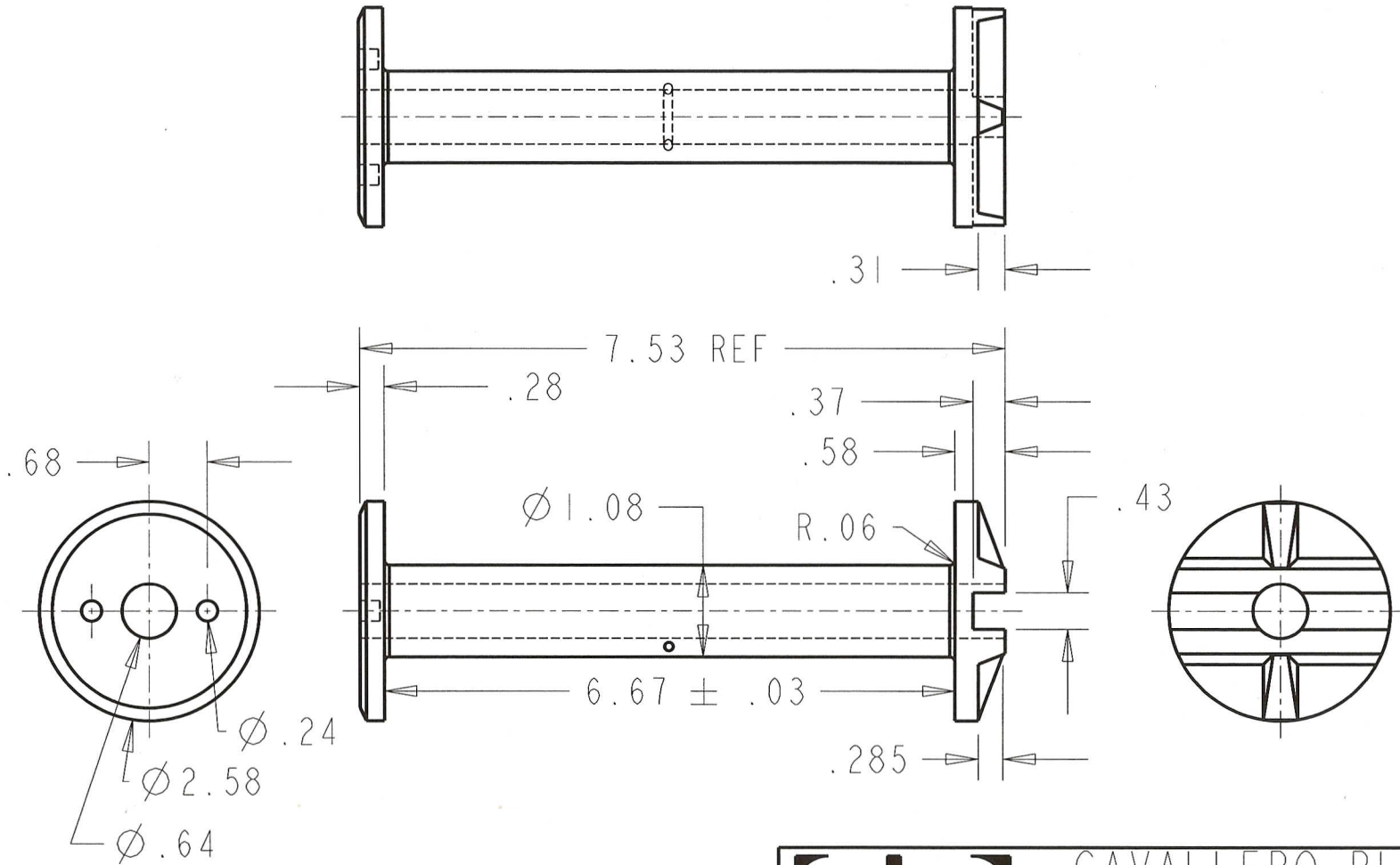
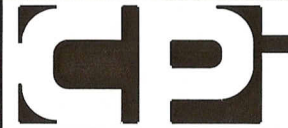


CCN # 04-052

REV	DESCRIPTION OF CHANGE, DWG LOCATION	DATE	APPROVED
B	Update drawing	9/04	sniezyk



SCALE 1/2

		CAVALLERO PLASTICS INC. 1250 NORTH ST. PITSFIELD MA 01201 PHONE 413-443-0925 FAX 413-443-9586 E-mail sales@cplas.com								
		TOLERANCE UNLESS SPECIFIED OTHERWISE INCHES <table border="1"> <tr> <td>.XXXX</td> <td>.XXX</td> <td>.XX</td> <td>.X & FRAC.</td> </tr> <tr> <td>±.0010</td> <td>±.005</td> <td>±.015</td> <td>±.12</td> </tr> </table>			.XXXX	.XXX	.XX	.X & FRAC.	±.0010	±.005
.XXXX	.XXX	.XX	.X & FRAC.							
±.0010	±.005	±.015	±.12							
		PART NAME: BOBBIN								
		CUSTOMER:								
		P/N CP-7.5		PART REV B						
MATERIAL: 6/6 GF 15		SHEET 1 OF 1		DWG #						
DRAWING BY: SNIEZYK /date 5/18/04		CHECKED BY:		APPROVED BY: TEHMANN /date 5/14/04						