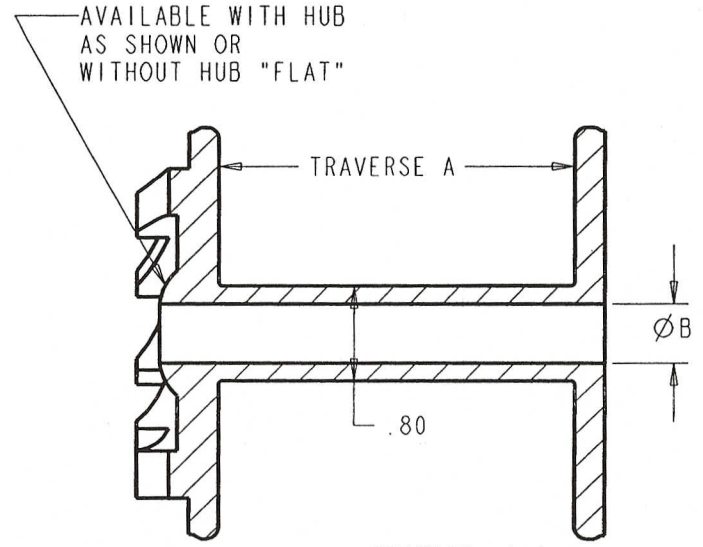
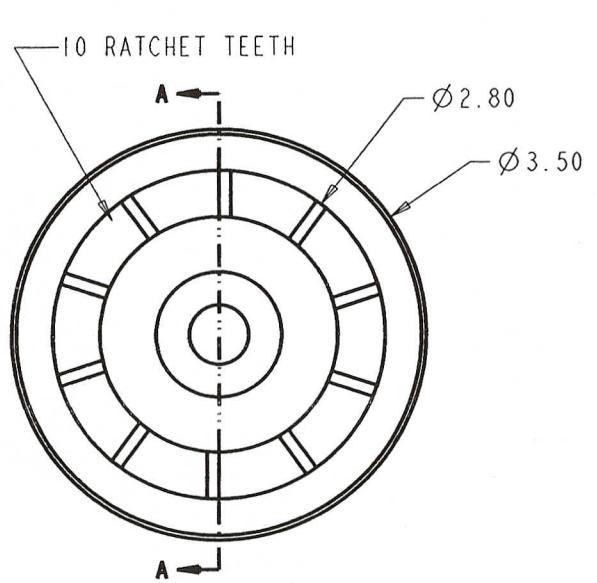



REV	DESCRIPTION OF CHANGE, DWG LOCATION	DATE	APPROVED



SECTION A-A

DIM "A" AVAILABLE IN 1/2 INCH INCRIMENTS	DIM "B"
7.50" - 13.00"	$\phi .510$
7.50" - 13.00"	$\phi .385$

SHT#	QTY	DESCRIPTION	MATERIAL/SUPPLIER	ORDER #
		 CAVALLERO PLASTICS INC. 1250 NORTH ST. PHONE 413-443-0925 PITSFIELD MA 01201 FAX 413-443-9586 E-mail engineering@cpplas.com		
TOLERANCE UNLESS SPECIFIED OTHERWISE				PART NAME:
.XXXX ±.0010	.XXX ±.005	.XX & FRAC. ±.015	ANGLES ±1°	3-EL-"A"
CUSTOMER:			PART #	PART REV A
MATERIAL:			SHEET 1 OF 1	
DRAWING BY: SNIETZK /date 10/11/03		CHECKED BY:	APPROVED BY: TOM EHMANN /date 10/15/03	