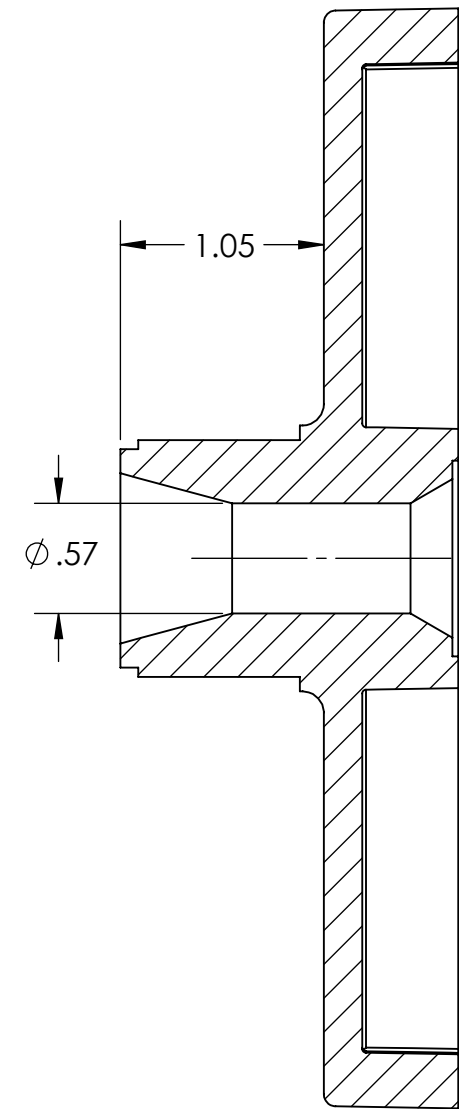
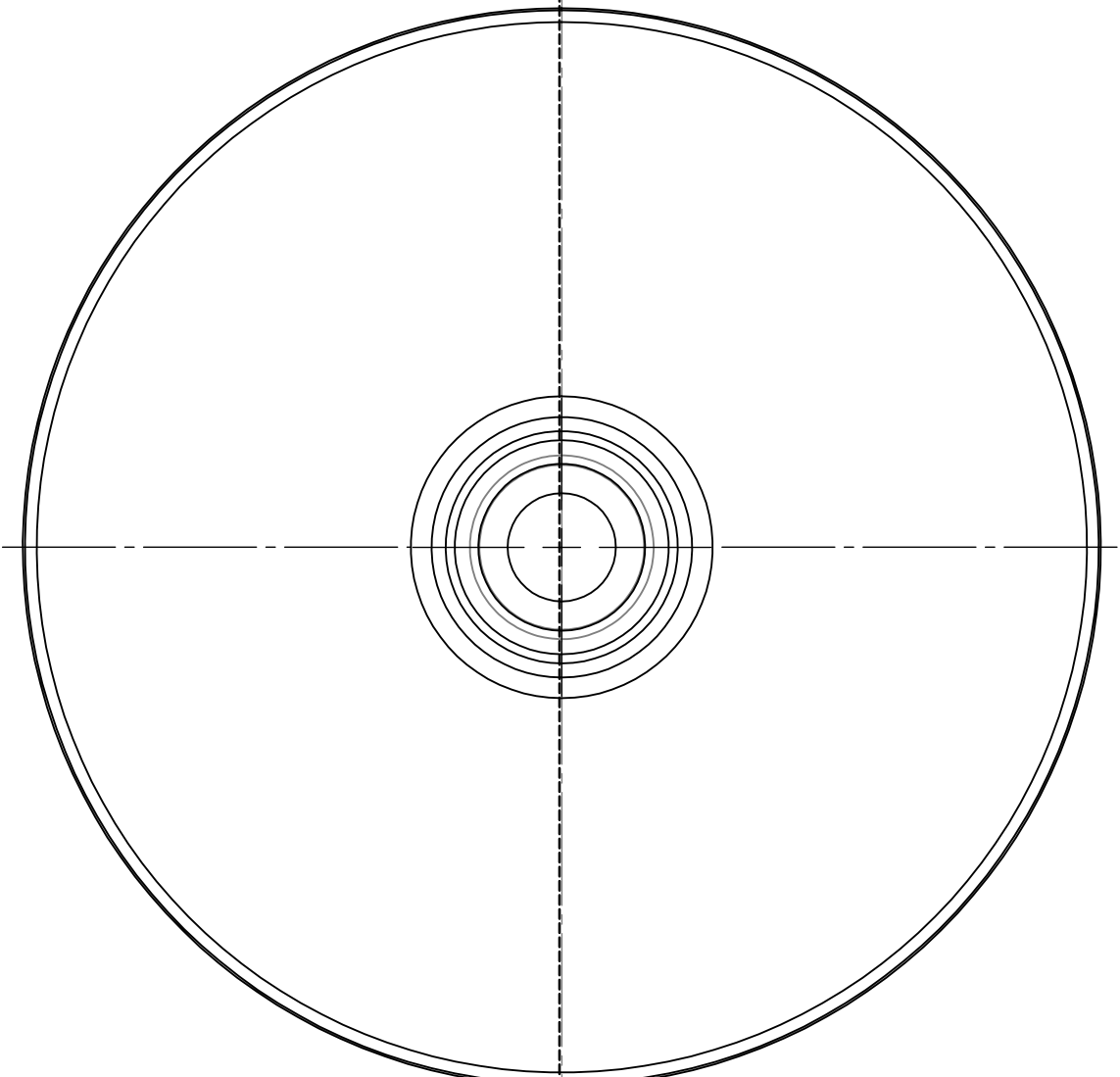


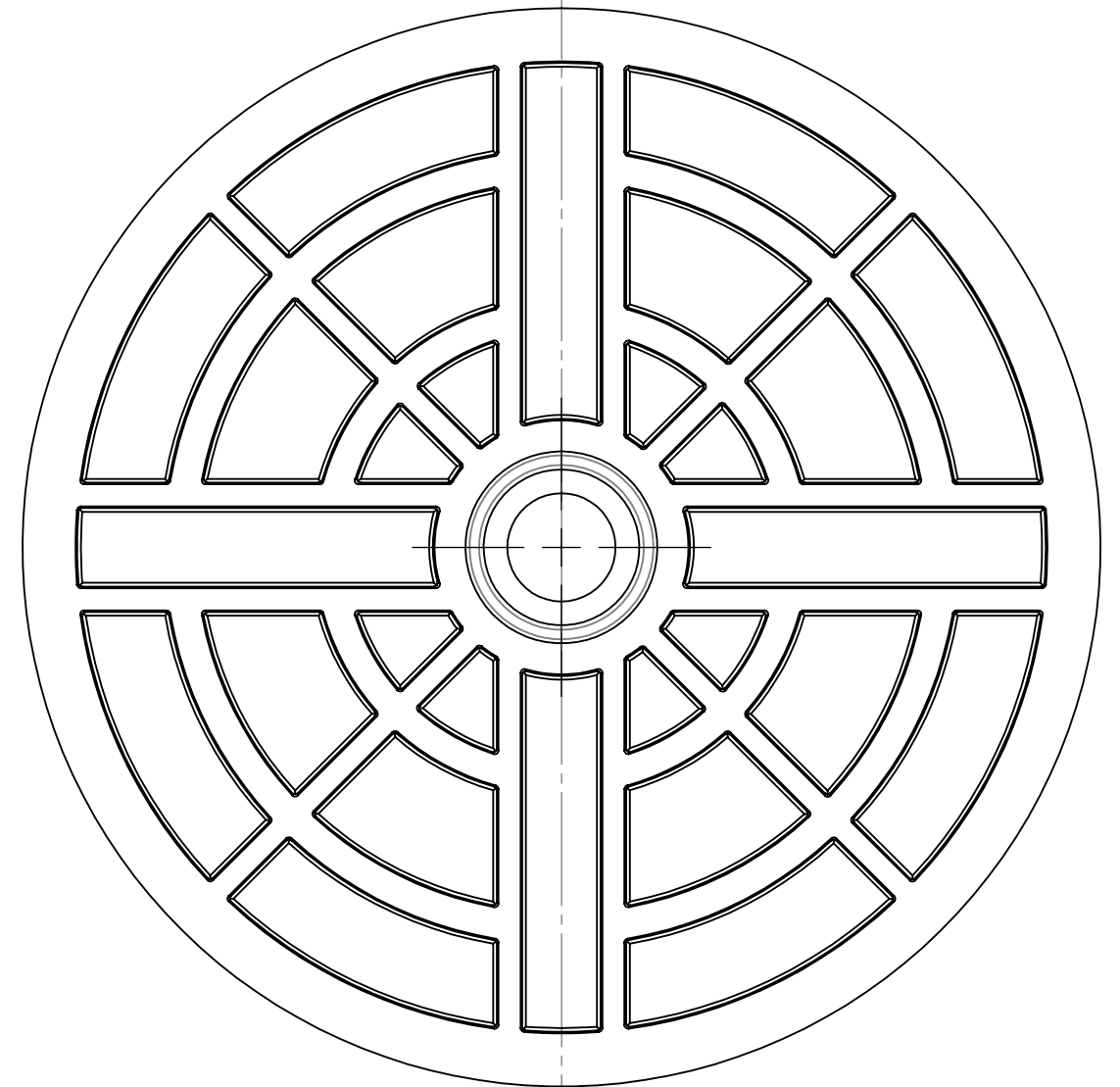
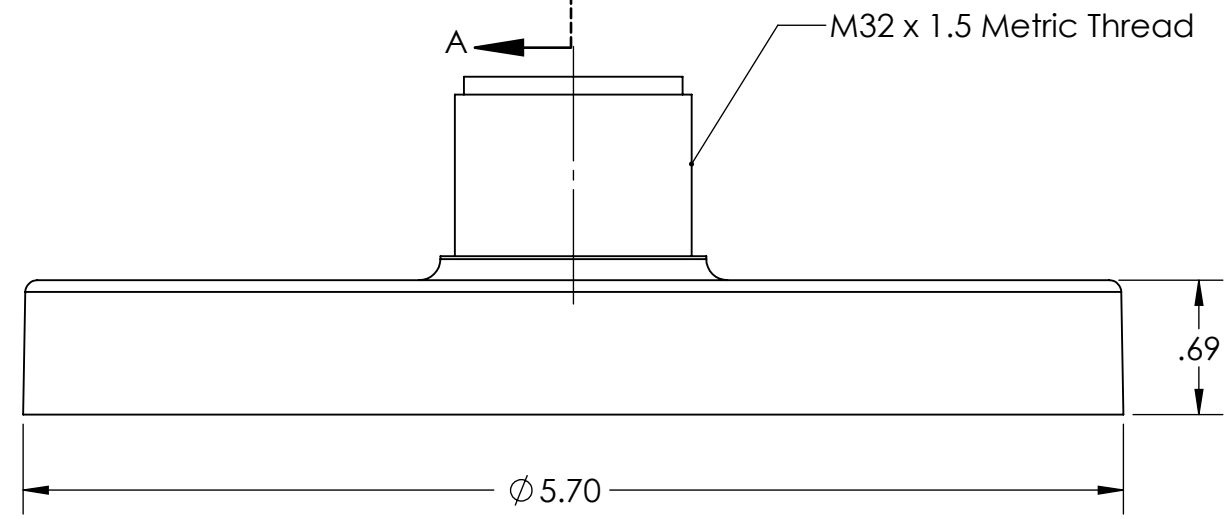
8 7 6 5 4 3 2 1

REVISIONS			
REV.	DESCRIPTION	DATE	CCN NUMBER
A	T3000HSL NLM was 6608L NLM	DJL 6/17/15	15-058
B	Chg'd dim's to reflect actual part shrinkage & edge radius per customer's expectations.	TR 7/23/15	15-070

D  
C  
B  
A



SECTION A-A  
SCALE 1:1



D  
C  
B  
A

		<b>CAVALLERO PLASTICS INC.</b>		PHONE 413-443-0925	
		1250 NORTH ST.		FAX 413-443-9586	
		PITTSFIELD MA 01201		E-mail sales@cplas.com	
TOLERANCE UNLESS SPECIFIED OTHERWISE INCHES				PART NAME:	
.XXXX	.XXX	.XX	.X & FRAC.	<b>266 Spool Flange</b>	
± .005	± .010	± .015	± .12		
MILLIMETERS				± .25°	
	± .130	± .40	± 3.0		
MAT'L: T3000HSL NLM				MOLD # 1093	JOB # 85352
DRAWING BY: Donnie				SIZE <b>B</b>	Part# 266 Spool Flange
DATE: 6/17/2015				APPROVED BY:	SCALE: 1:2
				DATE:	SHEET 1 OF 1
					<b>B</b>

8 7 6 5 4 3 2 1