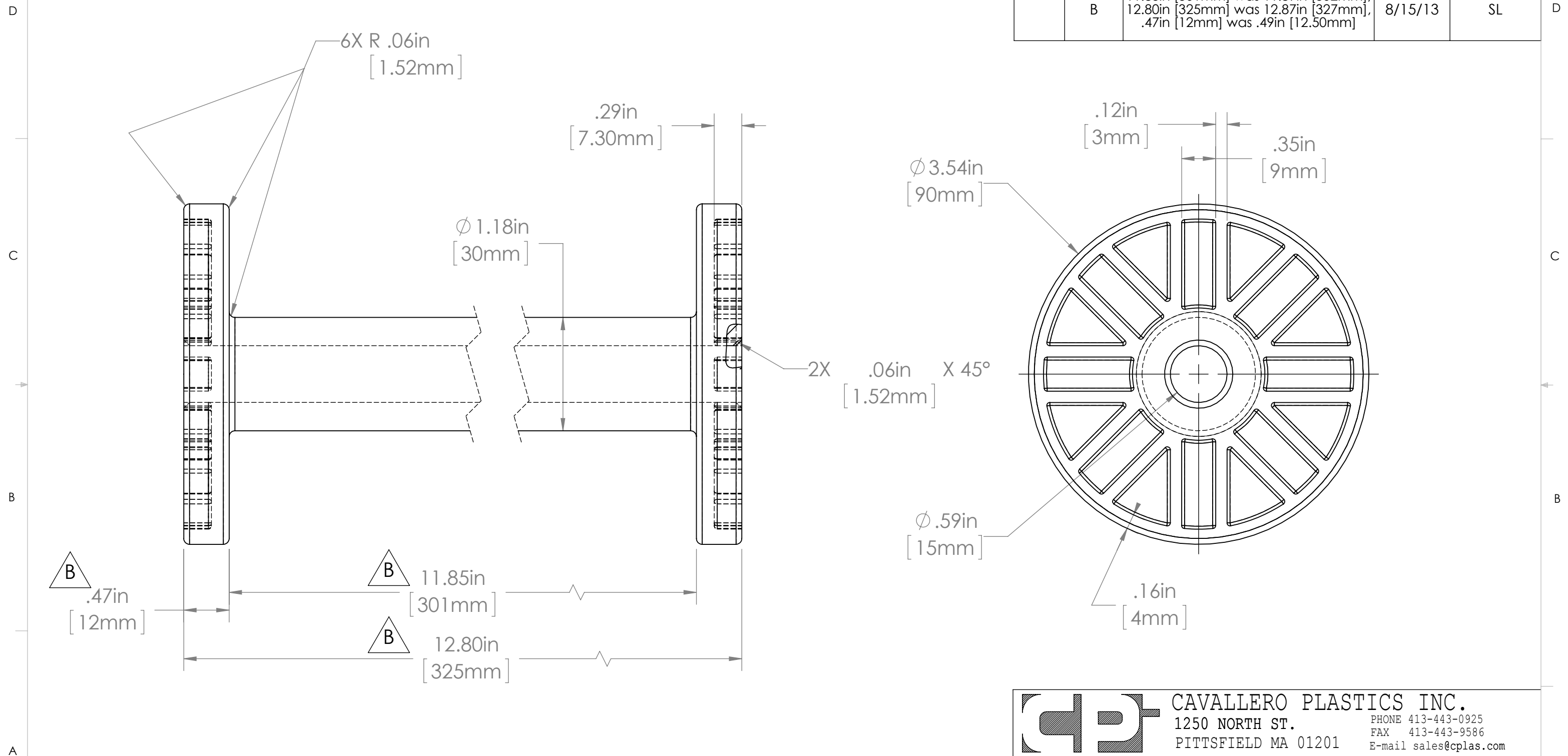


8 7 6 5 4 3 2 1

REVISIONS				
ZONE	REV.	DESCRIPTION	DATE	APPROVED
	A	---Released---	5/15/13	
	B	11.85in [301mm] was 11.89in [302mm], 12.80in [325mm] was 12.87in [327mm], .47in [12mm] was .49in [12.50mm]	8/15/13	SL



CP		CAVALLERO PLASTICS INC.			PHONE 413-443-0925	
		1250 NORTH ST.			FAX 413-443-9586	
		PITTSFIELD MA 01201			E-mail sales@cplas.com	
TOLERANCE UNLESS SPECIFIED OTHERWISE INCHES					PART NAME:	
.XXXX	.XXX	.XX	.X & FRAC.	ANGLES	ROPE BOBBIN	
±.0010	±.005	±.015	±.12	±1°	PART#: CP-180	
MILLIMETERS					REV B	
	±.130	±.40	±3.0	SHEET 1 OF 1		
MAT'1: HIPS		SCALE: 1:1		MOLD # 648-110		
DRAWING BY: SL		CHECKED BY: FJE		APPROVED BY:		
/DATE: 5/16/2013		/DATE: 5/17/13		/DATE:		

8 7 6 5 4 3 2 1