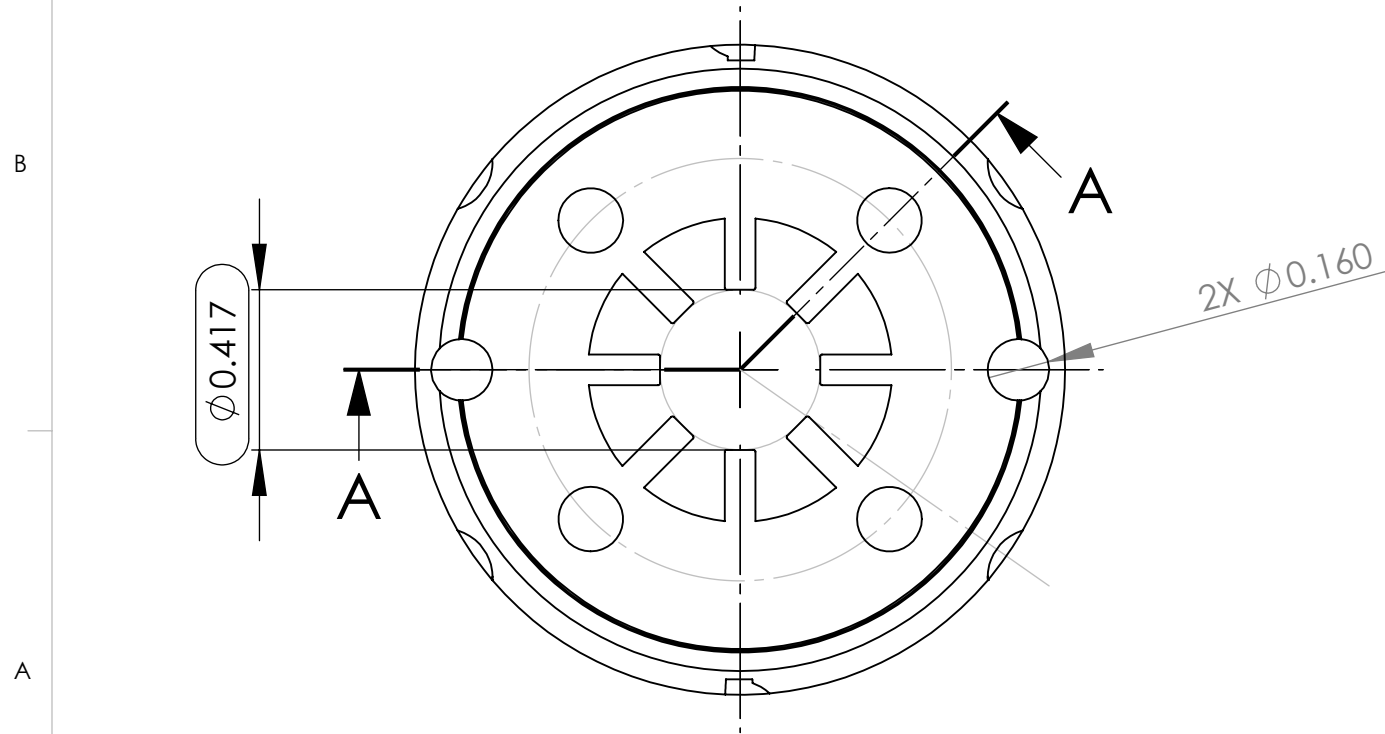
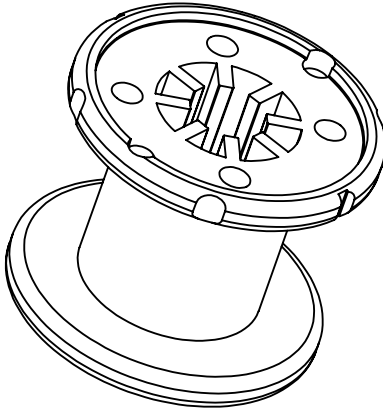


SECTION A-A
SCALE 2 : 1



PROPRIETARY AND CONFIDENTIAL
THE INFORMATION CONTAINED IN THIS DRAWING IS THE SOLE PROPERTY OF CAVALLERO PLASTICS, INC.. ANY REPRODUCTION IN PART OR AS A WHOLE WITHOUT THE WRITTEN PERMISSION OF CAVALLERO PLASTICS, INC. IS PROHIBITED.

		UNLESS OTHERWISE SPECIFIED:		NAME	DATE	Cavallero Plastics, Inc.	
		DIMENSIONS ARE IN INCHES TOLERANCES: FRACTIONAL \pm ANGULAR: MACH \pm BEND \pm TWO PLACE DECIMAL \pm THREE PLACE DECIMAL \pm		DRAWN		Part No.:	
		INTERPRET GEOMETRIC TOLERANCING PER:		CHECKED		CP-1X1	
		MATERIAL PA717C BKM		ENG APPR.		SIZE	Part Name:
NEXT ASSY	USED ON	FINISH		MFG APPR.		B	Wire Spool
APPLICATION		DO NOT SCALE DRAWING		Q.A.		REV	A
				COMMENTS:		SCALE: 1:1	WEIGHT:
						SHEET 1 OF 1	