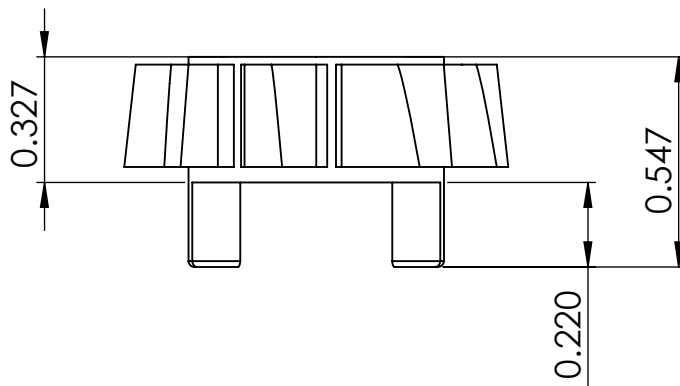
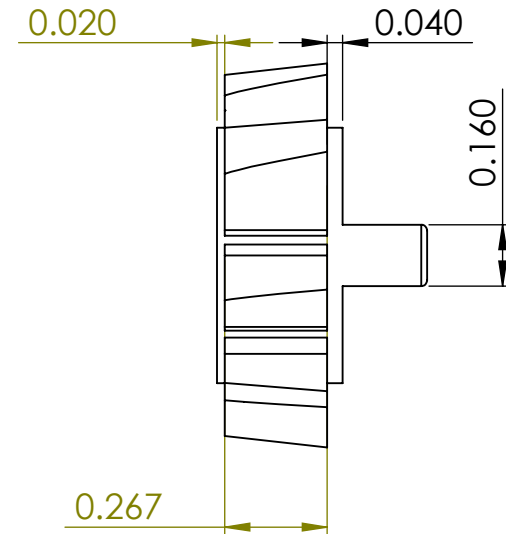
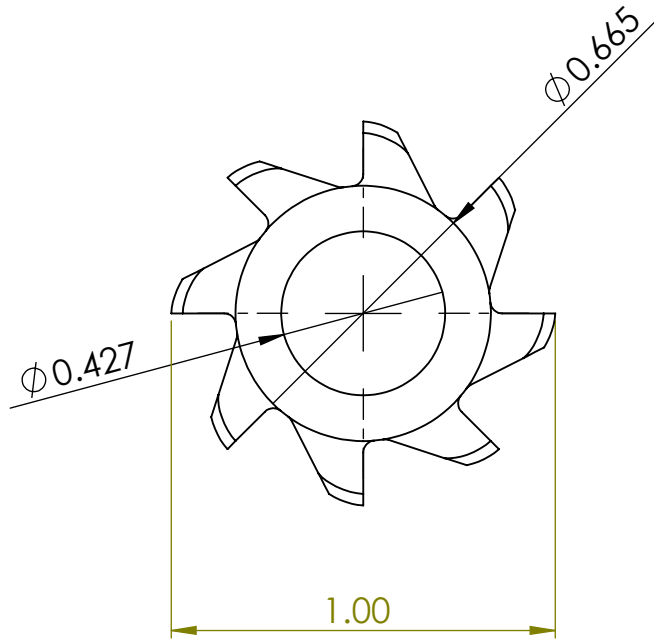
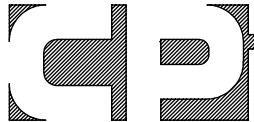


REVISIONS			
REV.	DESCRIPTION	DATE	APPROVED
A	MAT'L WAS RL4040	1/8/2015	LDS



		CAVALLERO PLASTICS INC. 1250 NORTH ST. PITTSFIELD MA 01201		PHONE 413-443-0925 FAX 413-443-9586 E-mail sales@cplas.com	
		TOLERANCE UNLESS SPECIFIED OTHERWISE INCHES		PART NAME: Carrier COG	
.XXXX	.XXX	.XX	.X & FRAC.	ANGLES	
± .0002	± .001	± .005	± .12	± .25°	
MILLIMETERS					
	± .130	± .40	± 3.0	MOLD #	
MAT'L: RF 1008 BLK				SIZE A	JOB #
DRAWING BY: Laurenz Saam DATE: 12/23/2014		APPROVED BY: DATE:		SCALE: 2:1	SHEET 1 OF 1
					REV A