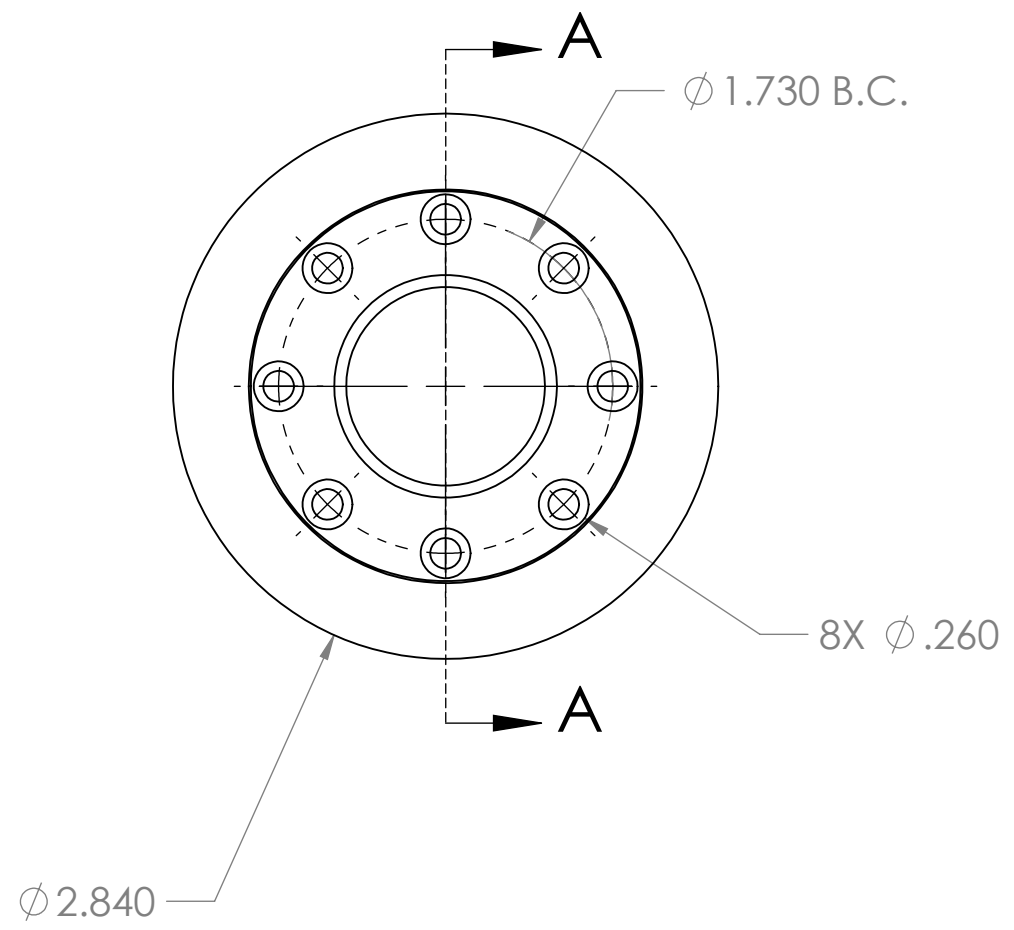
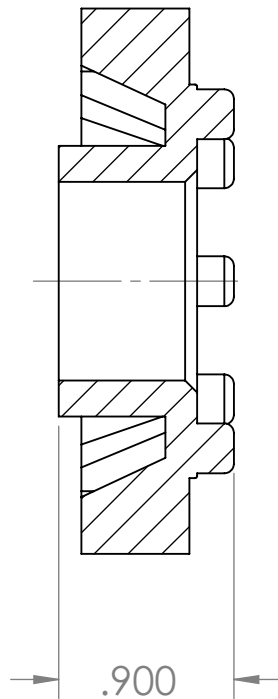
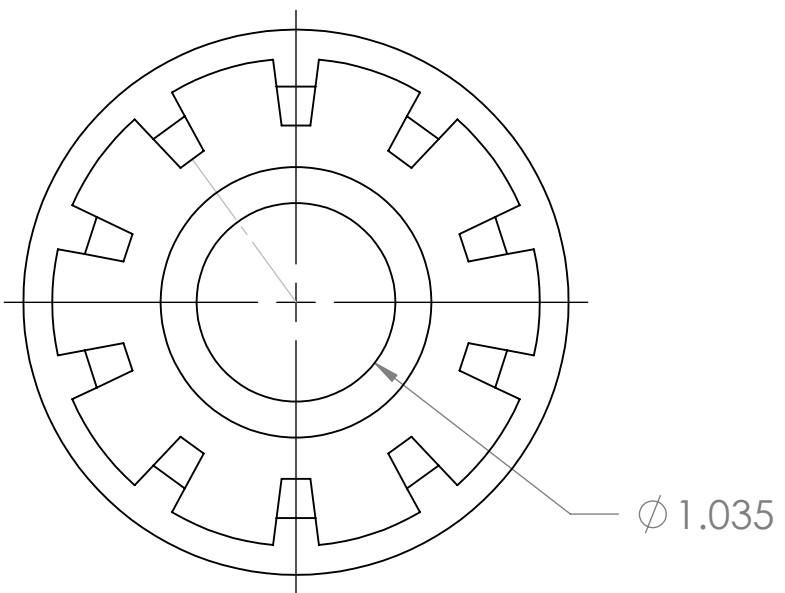


REVISIONS				
ZONE	REV.	DESCRIPTION	DATE	APPROVED
	A	---RELEASED---	5/17/13	
	B	Material Changed to P7-40FG WER from 15 % GF Nylon	10/4/13	FJE



SECTION A-A

CP		CAVALLERO PLASTICS INC.		PHONE 413-443-0925	
		1250 NORTH ST.		FAX 413-443-9586	
		PITTSFIELD MA 01201		E-mail sales@cplas.com	
TOLERANCE UNLESS SPECIFIED OTHERWISE INCHES				PART NAME:	
.XXXX	.XXX	.XX	.X & FRAC.	Drive-72 Rev B	
± .0010	± .005	± .015	± .12	MOLD # 588-112 JOB #	
MILLIMETERS				± 1°	
	± .130	± .40	± 3.0	SHEET 1 OF 1 DWG #	
MAT'L: P7-40FG WER		SCALE: 1:1		APPROVED BY:	
DRAWING BY: SL		CHECKED BY:		/DATE:	
/DATE: 5/16/2013		/DATE:		/DATE:	

(B)