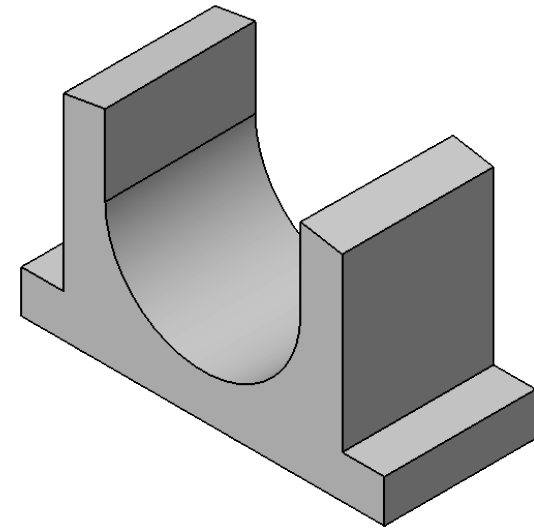
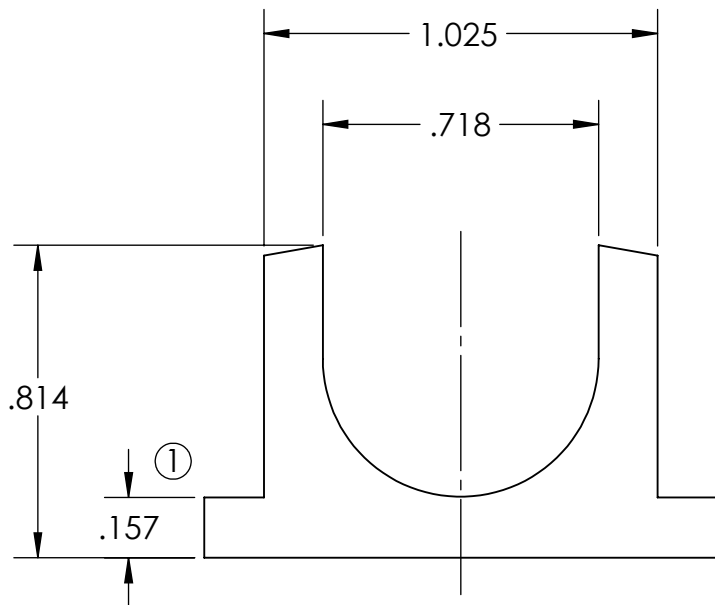
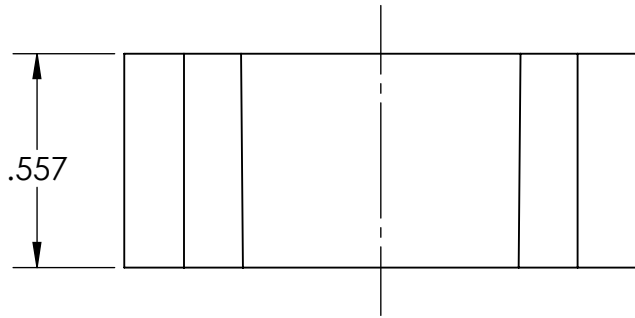
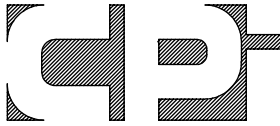


REV.	DESCRIPTION	DATE	BY
1	.157 was .160	11/6/15	TR
2	Change part name & mold number.	3/16/2016	DJL



	CAVALLERO PLASTICS INC. 1250 NORTH ST. PITTSFIELD MA 01201		PHONE 413-443-0925 FAX 413-443-9586 E-mail sales@cplas.com
	TOLERANCE UNLESS SPECIFIED OTHERWISE INCHES		
.XXXX	.XXX	.XX	.X & FRAC.
±	± .015	± .03	± .12
MILLIMETERS			
	± .130	± .40	± 3.0
MAT'L: T.B.D.			PART NAME: H G RAT - GEAR BUSHING
DRAWING BY: Tim R DATE: 10/29/2015			APPROVED BY: DATE:
SCALE: 2:1		MOLD # 533,I-13 JOB # 85300	SIZE A DWG #
		SHEET 1 OF 1	REV 2