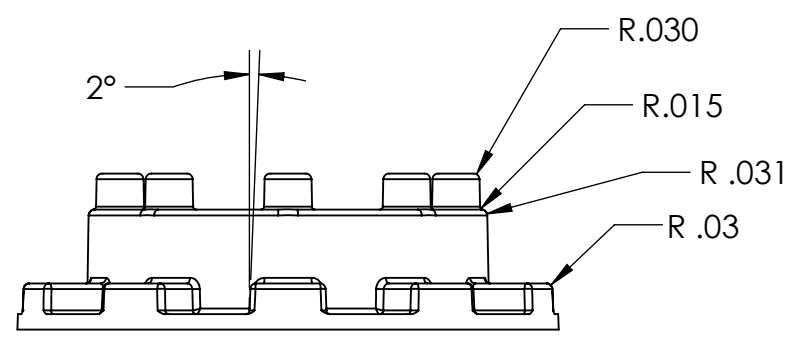
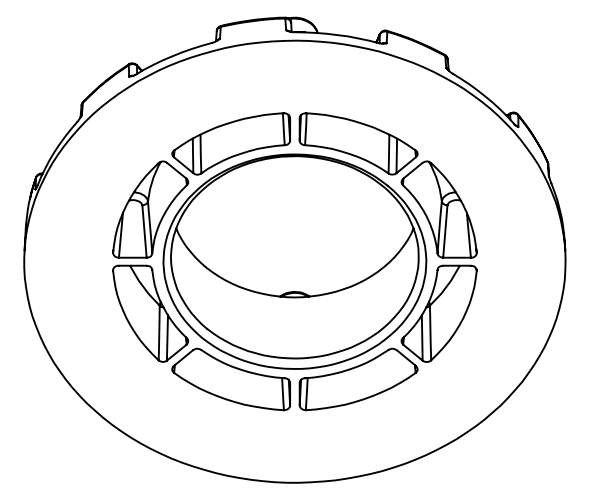
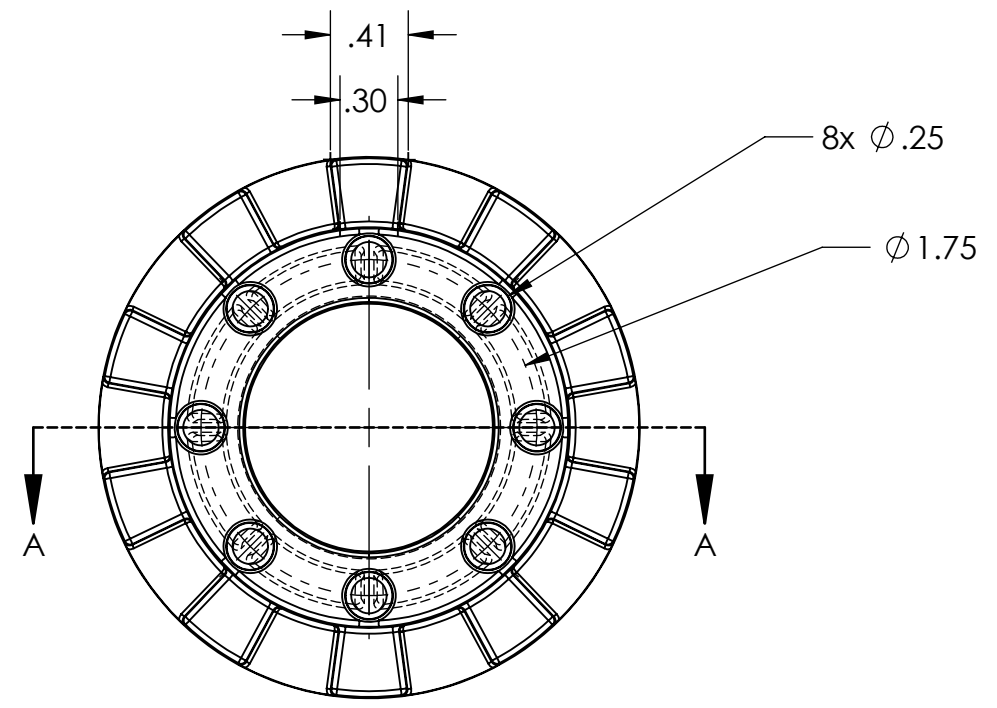
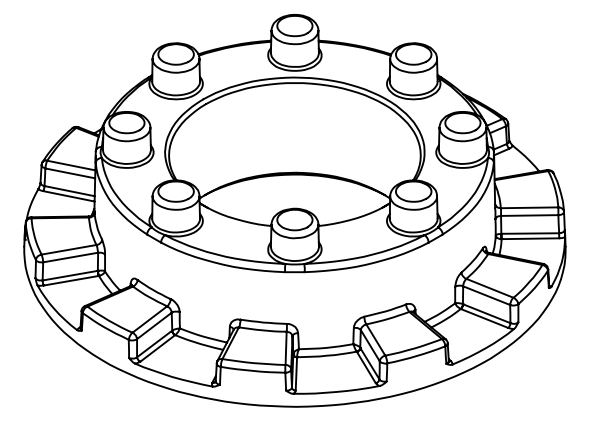
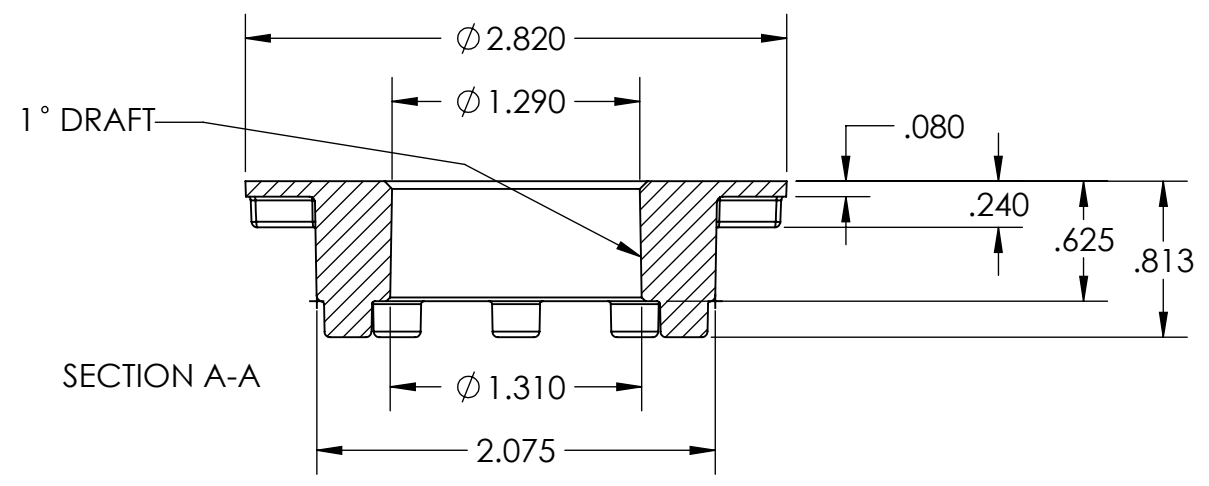
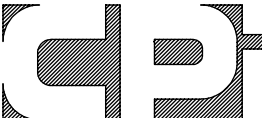


8 7 6 5 4 3 2 1



 CAVALLERO PLASTICS INC. 1250 NORTH ST. PITTSFIELD MA 01201 PHONE 413-443-0925 FAX 413-443-9586 E-mail sales@cplas.com				PART NAME: gear2	
TOLERANCE UNLESS SPECIFIED OTHERWISE INCHES .XXXX .XXX .XX .X & FRAC. ANGLES ± .0005 ± .005 ± .01 ± .12 MILLIMETERS ± .130 ± .40 ± 3.0				± 1° MOLD # JOB # SIZE B DWG # DRAWING BY: SL APPROVED BY: DATE: 10/22/2015 DATE:	
SCALE: 1:1		SHEET 1 OF 1		REV -	

8 7 6 5 4 3 2 1